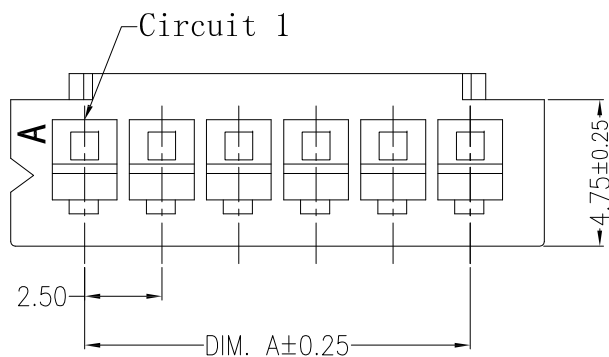
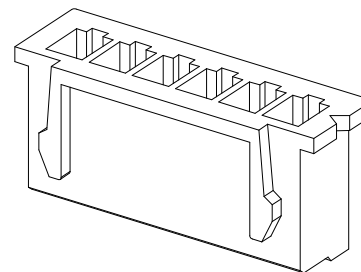
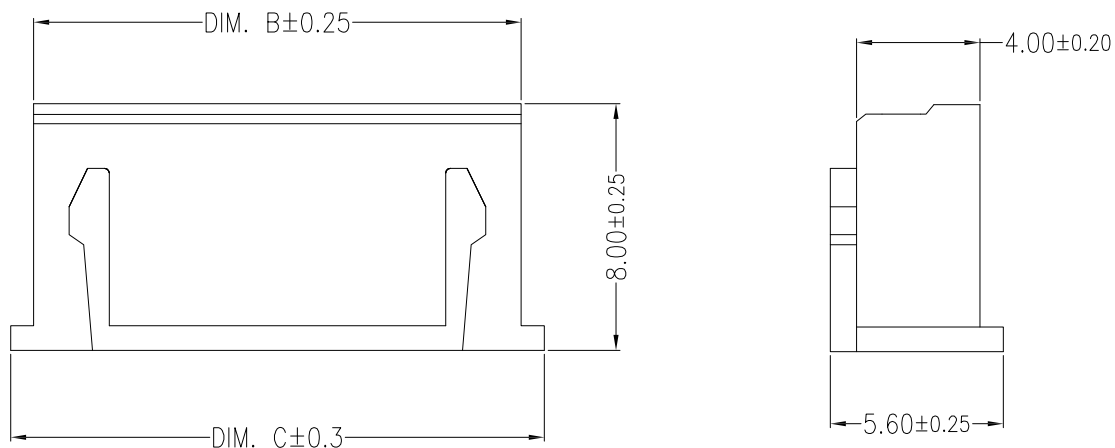


环保物料

主要技术参数 Main Specifications

线 数 (Poles): 02 to 16
 接触电阻 (Contact resistance): $\leq 10m\Omega$
 绝缘电阻 (Insulation resistance): $\geq 1000M\Omega$
 额定电压 (Rated voltage): 250V AC DC
 额定电流 (Rated current): 3.0A AC DC
 耐 电压 (Withstand Voltage): 1000V AC/minute
 温度范围 (Temperature Range): $-25^{\circ}C \sim +85^{\circ}C$



Circuits	Dimensions (mm)		
	DIM. A	DIM. B	DIM. C
02	2.50	5.80	7.30
03	5.00	8.30	9.80
04	7.50	10.80	12.30
05	10.00	13.30	14.80
06	12.50	15.80	17.30
07	15.00	18.30	19.80
08	17.50	20.80	22.30
09	20.00	23.30	24.80
10	22.50	25.80	27.30
11	25.00	28.30	29.80
12	27.50	30.80	32.30
13	30.00	33.30	34.80
14	32.50	35.80	37.30
15	35.00	38.30	39.80
16	37.50	40.80	42.30
17	40.00	43.30	44.90
18	42.50	45.80	47.30

A	HOUSING	1 PCS	PA66	COLOR:WHITE
ITEM	COMPONENT	Q'TY	MATERIAL	FINISH

GENERAL TOLERANCES		SCALE: 1:1	NAME	DATE
LINEAR	ANGLES	APPROVED	黎腾	2017.06.16
0.0 ± 0.35	X° REF ± 6°	DESIGNER	肖坤权	2017.06.16
A0	新图面发行	2017.06.16	UNIT: MM	0.00 ± 0.25
REV.	REVISION RECORD	DATE	SIZE: A4	0.000 ± 0.15
				X° X' ± 2°
				DRAWN
				旷淇
				2017.06.16

康导新能源
 网址: www.dgonne.com 电话: 0769-85337633
 邮箱: 2850176886@qq.com 传真: 0769-85392827

PART. NO:	22501Y
DWG. NO:	
REV:	A0
SHEET:	1/1