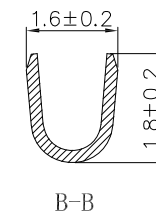
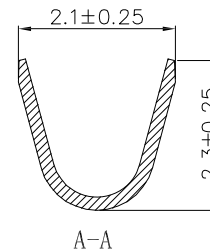
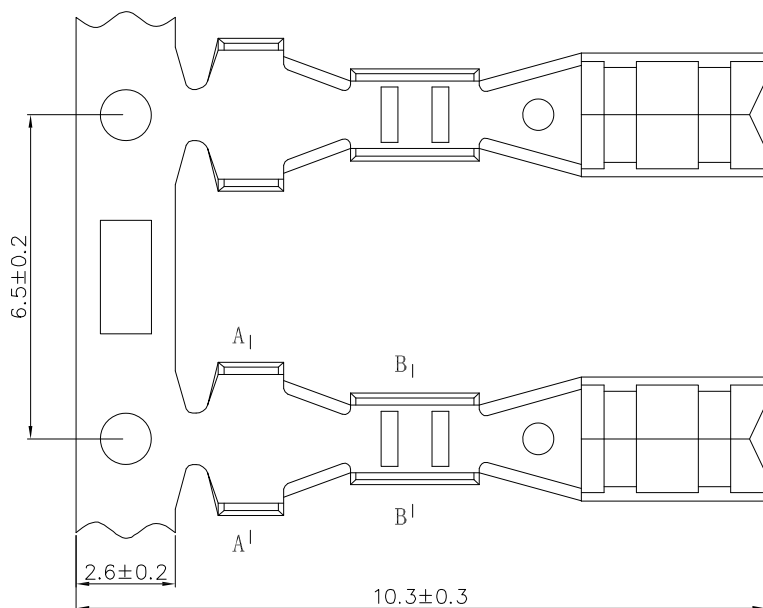
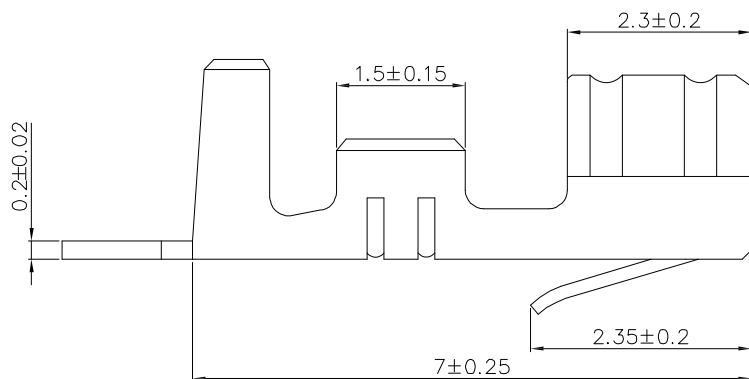
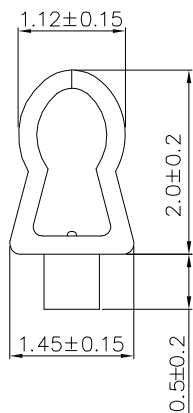


环保物料



主要技术参数 Main Specifications

- 接触电阻 (Contact resistance): $\leq 20m\Omega$
- 绝缘电阻 (Insulation resistance): $\geq 1000M\Omega$
- 额定电压 (Rated voltage): 250V AC DC
- 额定电流 (Rated current): 3.0A AC DC
- 耐电压 (Withstand Voltage): 1000V AC/minute
- 温度范围 (Temperature Range): $-25^{\circ}C \sim +85^{\circ}C$

Wire Range	Insulation O.D.	Material	Finish	Qty/Reel
AWG #22~#28	1.80mm(max)	Phosphor bronze	Tin-plated	

REV.	REVISION RECORD	DATE	UNIT: MM	GENERAL TOLERANCES		SCALE: 1:1	NAME	DATE
				LINEAR	ANGLES			
A0	新图面发行	2017.06.16	MM	0.00±0.25	X° ±3°	APPROVED	黎腾	2017.06.16
	REVISION RECORD	DATE	SIZE: A4	0.000±0.15	X° X'±2°	DESIGNER	肖坤权	2017.06.16
						DRAWN	旷淇	2017.06.16

康导新能源
 网址: www.dgonne.com 电话: 0769-85337633
 邮箱: 2850175988@qq.com 传真: 0769-85392827

PART. NO:	22505T	
DWG. NO:		
REV:	A0	SHEET: 1/1