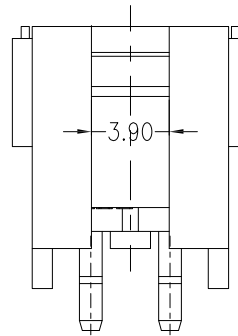
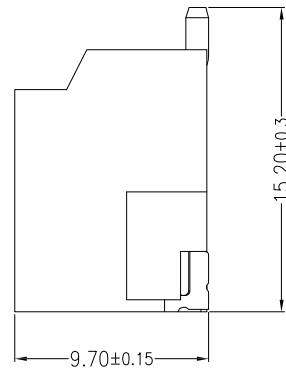
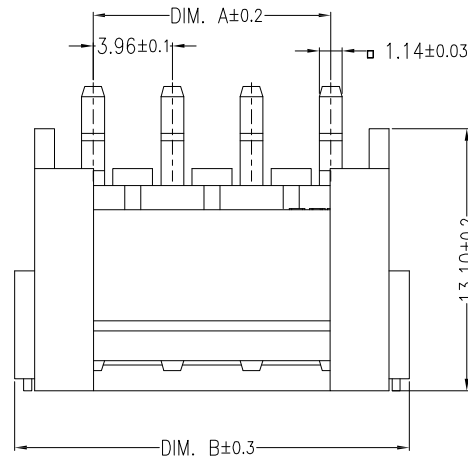


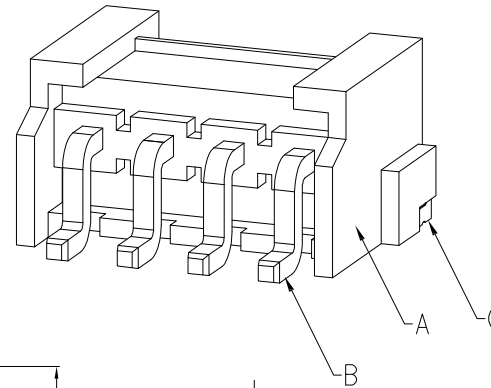
环保物料

主要技术参数 Main Specifications

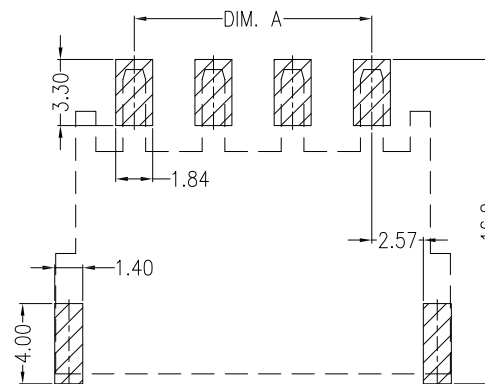
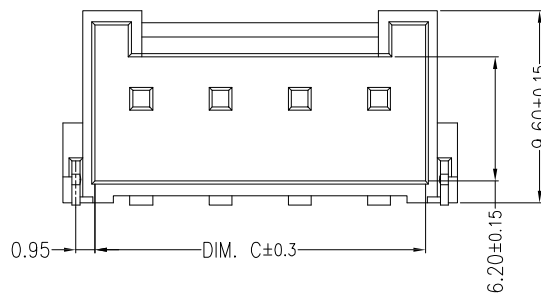
线数 (Poles): 02 to 10
 接触电阻 (Contact resistance) $\leq 20m\Omega$
 绝缘电阻 (Insulation resistance) $\geq 1000M\Omega$
 额定电压 (Rated voltage): 250V AC DC
 额定电流 (Rated current): 7.0A AC DC
 耐电压 (Withstand Voltage): 1500V AC/minute
 温度范围 (Temperature Range): $-25^{\circ}C \sim +105^{\circ}C$



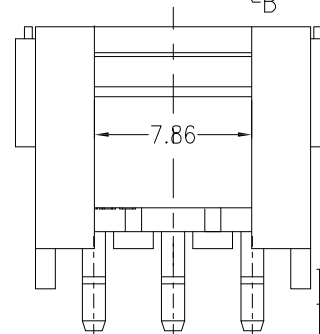
2P



Circuits	Dimensions (mm)		
	DIM. A	DIM. B	DIM. C
02	3.96	11.88	8.60
03	7.92	15.84	12.56
04	11.88	19.80	16.52
05	15.84	23.76	20.48
06	19.80	27.72	24.44
07	23.76	31.68	28.40
08	27.72	35.64	32.36
09	31.68	39.60	36.32
10	35.64	43.56	40.28



Mating PCB detail



3P

ITEM	COMPONENT	Q'TY	MATERIAL	FINISH
C	SOLDER TAB	2PCS	Brass	Sn-plated
B	CONTACT	02~10PCS	Brass	Sn-plated
A	PEDESTAL	1 PCS	PA9T	UL 94V-0, COLOR:BEIGE

GENERAL TOLERANCES		SCALE:	NAME	DATE	康导新能源 网址: www.dgponns.com 电话: 0769-85337633 邮箱: 2850175986@qq.com 传真: 0769-85392827	PART. NO: 23962AWR			
LINEAR	ANGLES	1:1	APPROVED	黎腾			2017.06.16		
0.00 ± 0.35	X° REF ± 6°		DESIGNER	肖坤权 <td>2017.06.16 </td>			2017.06.16		
0.00 ± 0.25	X° ± 3°		DRAWN	旷淇 <td>2017.06.16 </td>			2017.06.16		
REV.	REVISION RECORD	DATE	UNIT: MM	SIZE: A4	0.000 ± 0.15	X° X' ± 2°	TITLE: 3.96mmPITCH 90° WAFER SMT TYPE	REV: A0	SHEET: 1/1