

环保物料

Specifications:

Voltage Rating : 100V AC/DC

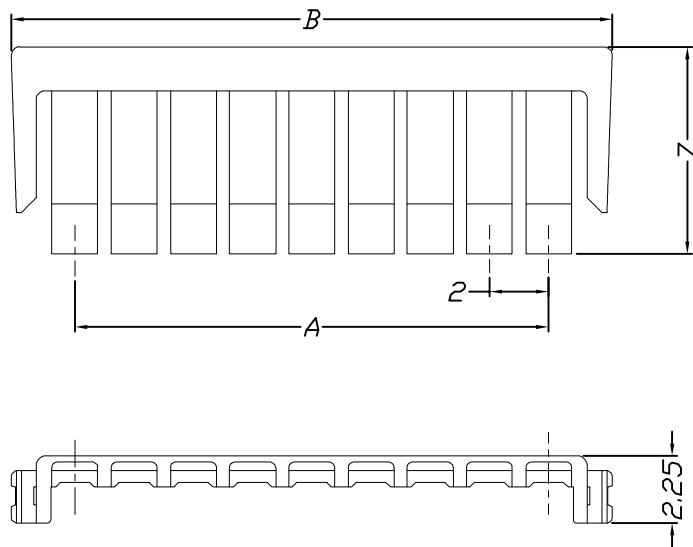
Current Rating : 3A AC,DC

Withstand Voltage : 800V AC/minute

Contact Resistance : 20mΩ(MAX.)

Insulation Resistance : 1000MΩ(MIN.)

Temperature Range : -25°C~+85°C



Unit: mm

Part No.	Dimensions	
	A	B
2P	2.00	6.30
3P	4.00	8.30
4P	6.00	10.30
5P	8.00	12.30
6P	10.00	14.30
7P	12.00	16.30
8P	14.00	18.30
9P	16.00	20.30
10P	18.00	22.30

Material	Color
PA66,UL94V-0	Gray

REV.	REVISION RECORD	DATE	UNIT: MM	GENERAL TOLERANCES		SCALE: 1:1	NAME	DATE
				LINEAR	ANGLES			
				0.0±0.25	X° REF±6°	APPROVED	黎腾	2017.06.16
AO	新图面发行	2017.06.16	UNIT: MM	0.00±0.15	X° ±3°	DESIGNER	肖坤权	2017.06.16
REV.	REVISION RECORD	DATE	SIZE: A4	0.000±0.08	X° X'±2°	DRAWN	旷淇	2017.06.16



PART NO:  
**42002R00-NP\*-66**

DWG. NO:

TITLE:  
**2.00mm pitch Single Housing**

REV: AO SHEET: 1/1