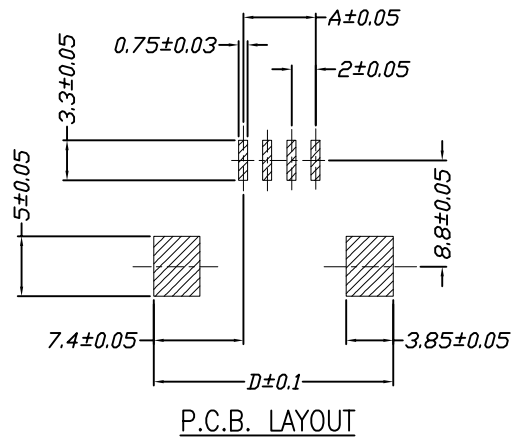
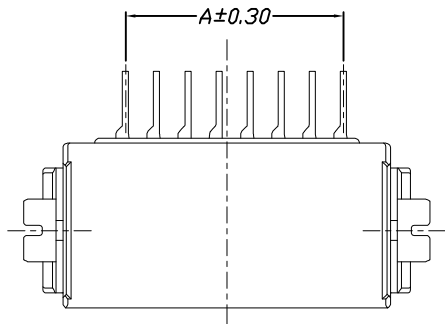
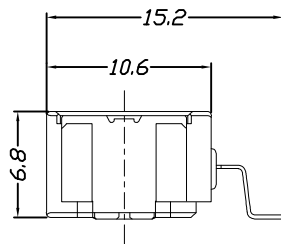
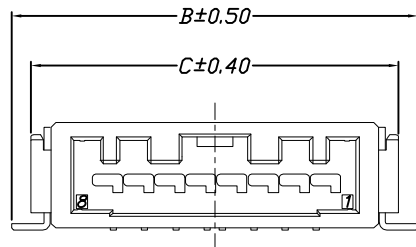


环保物料



Specifications:  
 Voltage Rating : 50V AC/DC  
 Current Rating : 3A AC,DC  
 Withstand Voltage : 1000V AC/minute  
 Contact Resistance : 8mΩ(MAX.)  
 Insulation Resistance : 100MΩ(MIN.)  
 Temperature Range : -40°C~+100°C



Part No	Dimensions			
	A	B	C	D
2P	2.00	14.10	11.60	15.80
4P	8.00	18.10	15.60	19.80
8P	14.00	26.10	23.60	27.80

Material	Color	PIN Material
PBT,UL94V-0	Gray	Brass/Gold&Ni-plated

				GENERAL TOLERANCES		SCALE: 1:1	NAME	DATE	<b>康导新能源</b> 网址: www.dgoonne.com 电话: 0769-85337 邮箱: 2860176888@qq.com 传真: 0769-85382	PART NO: <b>42003W90-NP*-A1-**</b>	
				LINEAR	ANGLES					APPROVED	黎腾
		0.0±0.25	X° REF±6°	DESIGNER	肖坤权	2017.06.16	TITLE:		REV:	A0	SHEET: 1/1
A0	新图面发行	2017.06.16	UNIT: MM	0.00±0.15	X° ±3°	DRAWN	旷洪	2017.06.16	<b>2.00mm pitch Single Wafer</b>		
REV.	REVISION RECORD	DATE	SIZE: A4	0.000±0.08	X° X'±2°						