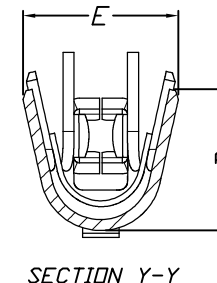
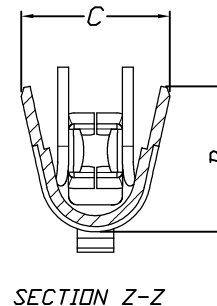
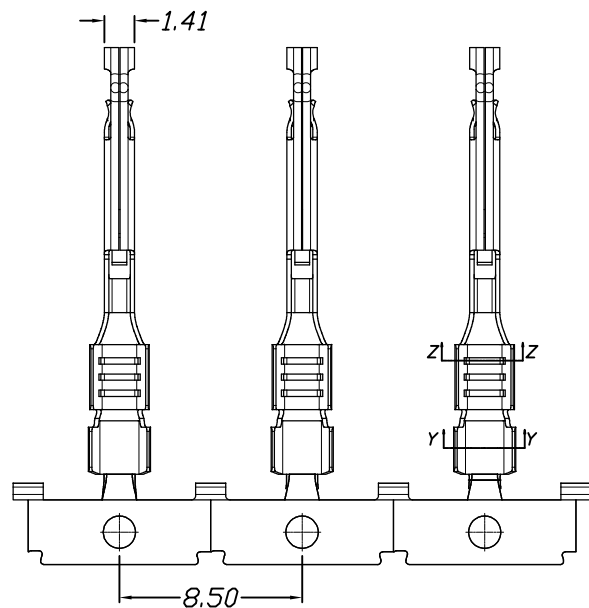
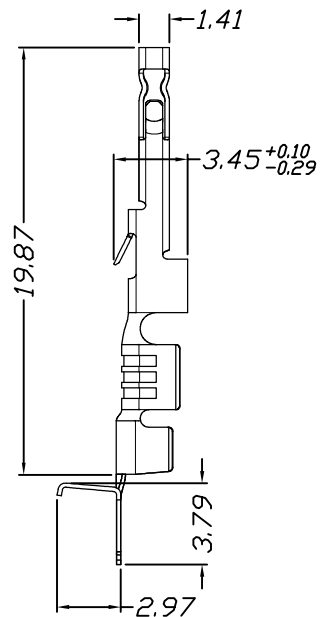


环保物料

Specifications:

Voltage Rating : 250V AC/DC  
 Current Rating : 7A AC,DC  
 Withstand Voltage : 1500V AC/minute  
 Contact Resistance : 20mΩ(MAX.)  
 Insulation Resistance : 1000V DC/1000MΩ(MIN.)  
 Temperature Range : -40°C~+120°C



Part No	Wire Range	Insulation O. D.	Material	Finish	DIM"B"	DIM"B"	DIM"B"	DIM"B"
43501T0 P-**	AWG#16 -#18	1.70mm (max)	Phosphor Bronze	Au or Sn	2.71	2.77	2.63	2.89
43501T0 P-**	AWG#20 -#22	1.30mm (max)	Phosphor Bronze	Au or Sn	2.16	2.20	2.08	2.33

		GENERAL TOLERANCES		SCALE:	NAME	DATE	 康导新能源 网址: www.dgconne.com 电话: 0769-85337633 邮箱: 2850175986@qq.com 传真: 0769-85392827		PART. NO:	43501T*P-**	
		LINEAR	ANGLES	1:1	APPROVED				DWG. NO:	ENDE05	
AO	新图面发行	2018.7.28	UNIT: MM	0.00±0.25	X° ±3°	DESIGNER		TITLE:	3.50mm pitch Crimp Terminal		
REV.	REVISION RECORD	DATE	SIZE: A4	0.000±0.15	X° X'±2°	DRAWN	肖坤权	2018.7.28	REV:	AO	SHEET: 1/1