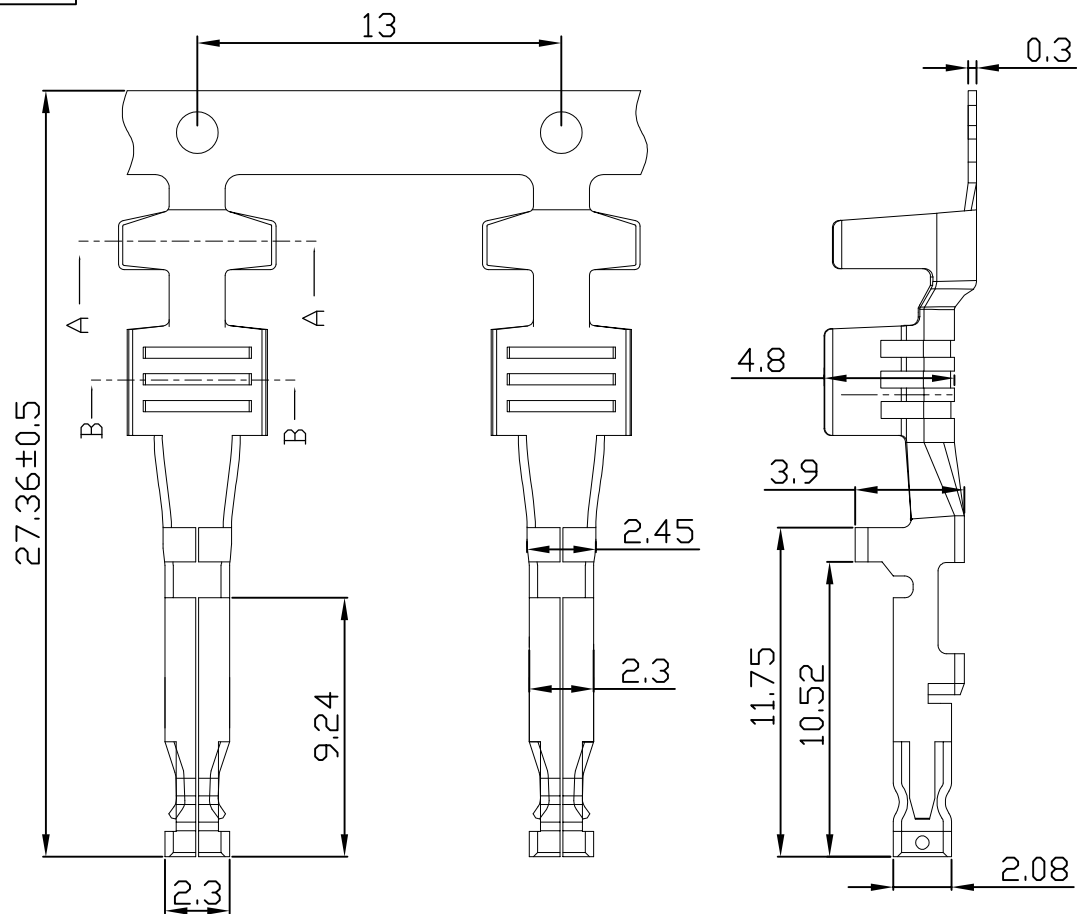
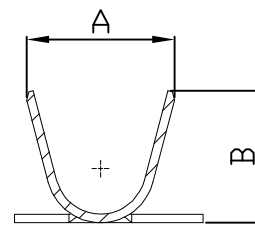


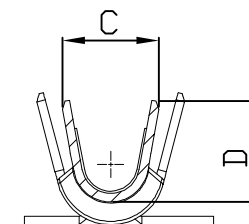
环保物料



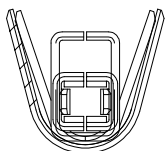
Specifications:
 Voltage Rating : 600V AC/DC
 Current Rating : 10A AC,DC
 Withstand Voltage : 2200V AC/minute
 Contact Resistance : 10mΩ(MAX.)
 Insulation Resistance : 1000MΩ(MIN.)
 Temperature Range : -40°C~+105°C



SECTION A-A



SECTION B-B



Wire size	
AWG	Max Ins Dia
#12, 4mm ²	4.11mm
#14, 2.5mm ²	3.75mm
#16, 1.5mm ²	3.18mm

Part NO	Wire range	DIM A	DIM B	DIM C	DIM D
45702TOP-01	#14~#16	4.80	4.65	3.40	3.55
45702TOP-02	#12	5.20	5.30	4.80	4.85

Wire Range	Material	Finish	Qty/reel
AWG #12~#16	High conductivity copper alloy	Tin-plated	

GENERAL TOLERANCES		SCALE: 1:1	NAME	DATE
LINEAR	ANGLES			
0.0±0.40	X° REF±6°	APPROVED	黎腾	2017.06.16
0.00±0.25	X° ±3°	DESIGNER	肖坤权	2017.06.16
0.000±0.15	X° X'±2°	DRAWN	旷淇	2017.06.16

康导新能源
 网址: www.dgoonne.com 电话: 0769-853377633
 邮箱: 2850175986@qq.com 传真: 0769-853922827

TITLE:
5.70mm pitch Crimp Terminal

PART NO:	45702TOP-**
DWG. NO:	ENDE05
REV:	A0
SHEET:	1/1