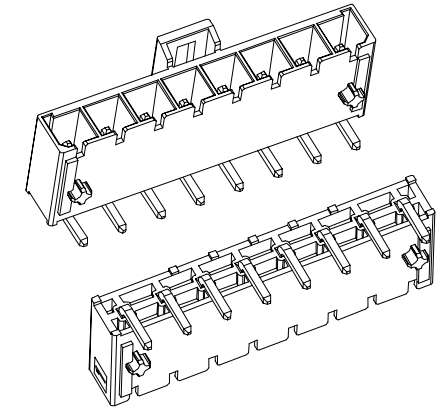
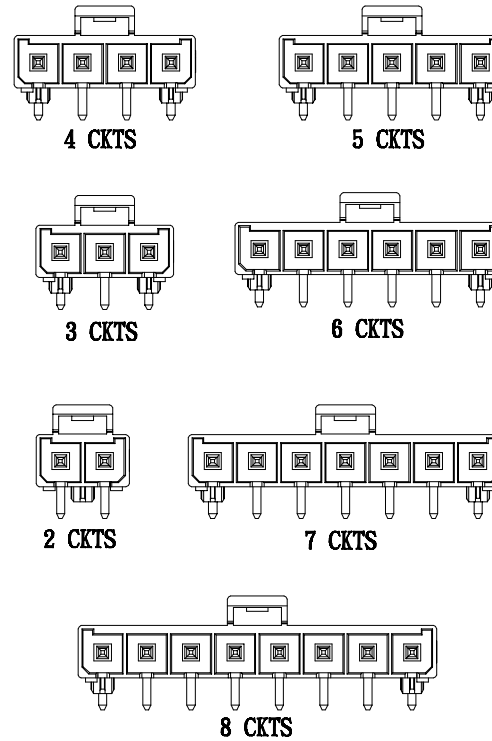
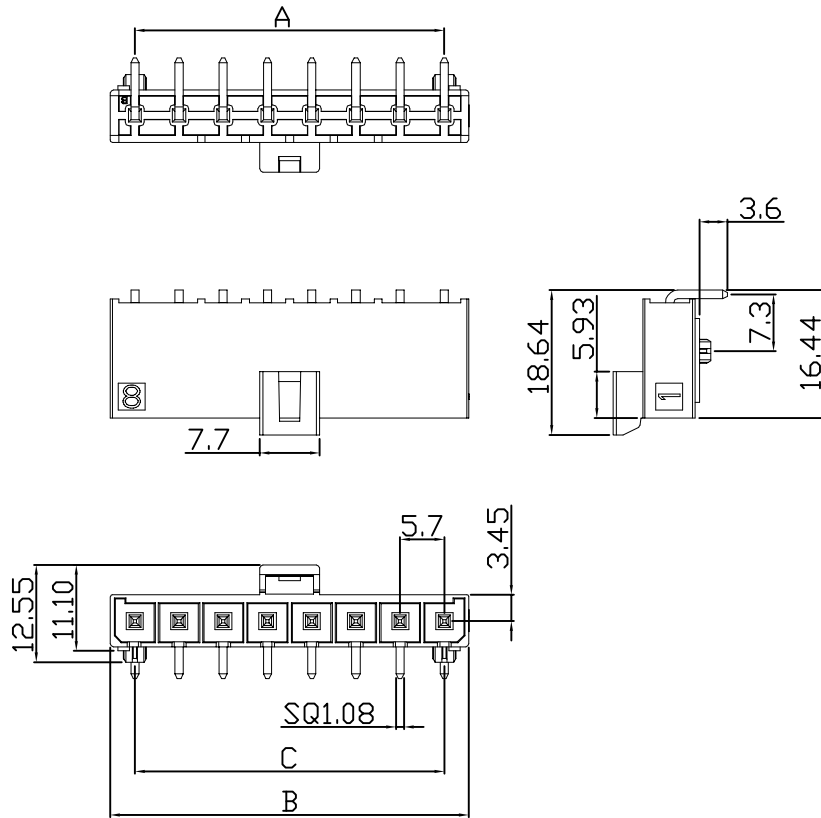


环保物料

Specifications:
 Voltage Rating : 600V AC/DC
 Current Rating : 10A AC,DC
 Withstand Voltage : 2200V AC/minute
 Contact Resistance : 10mΩ(MAX.)
 Insulation Resistance : 1000MΩ(MIN.)
 Temperature Range : -40°C~+105°C



Circuits	DIM A	DIM B	DIM C
2	5.70	12.00	
3	11.40	17.70	11.40
4	17.10	23.40	17.10
5	22.80	29.10	22.80
6	28.50	34.80	28.50
7	34.20	40.50	34.20
8	39.90	46.20	39.90

PCB board layout

2P PCB board layout

Material	Color	PIN Material
LCP,UL94V-0	BLACK	High conductivity copper/Tin&Ni-plated

GENERAL TOLERANCES		SCALE:		NAME		DATE		康导新能源		PART. NO:	
		1:1		黎腾		2017.06.16		康导新能源		45702W90-NP*-A1-**	
		APPROVED		肖坤权		2017.06.16		康导新能源		DWG. NO:	
		DESIGNER		旷淇		2017.06.16		康导新能源		ENDE05	
		DRAWN		康导新能源		2017.06.16		康导新能源		REV: A0 SHEET: 1/1	
A0	新图面发行	2017.06.16	UNIT: MM	0.00±0.25	X° ±3°	TITLE:		康导新能源			
REV.	REVISION RECORD	DATE	SIZE: A4	0.000±0.15	X° X'±2°	5.70mm pitch single Wafer		康导新能源			

