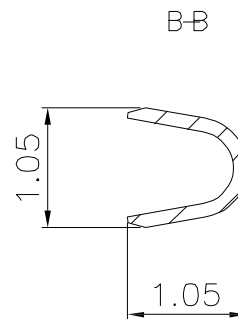
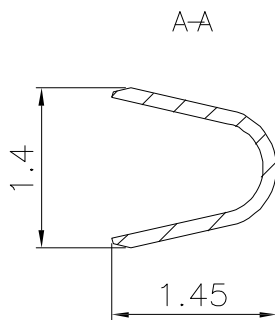
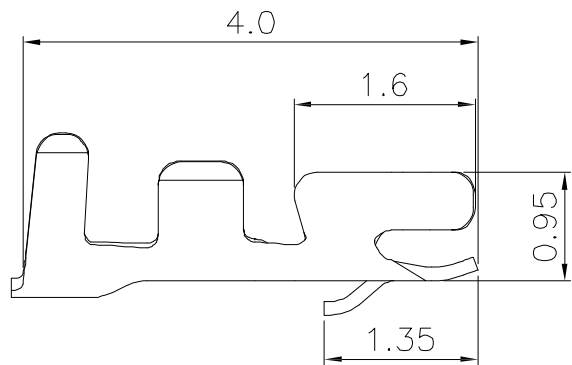
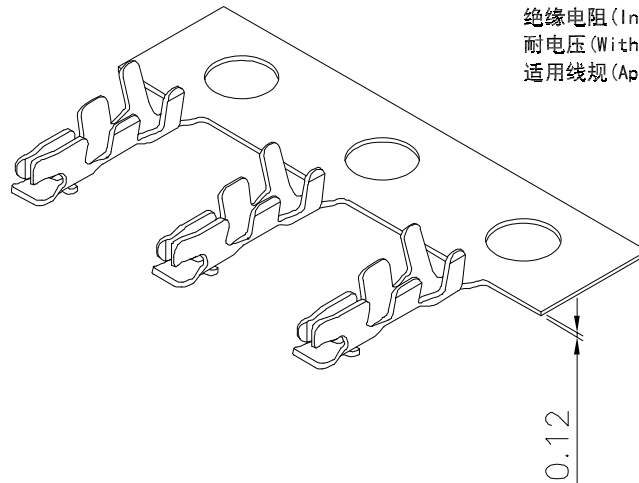
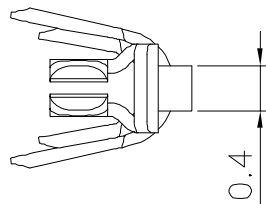
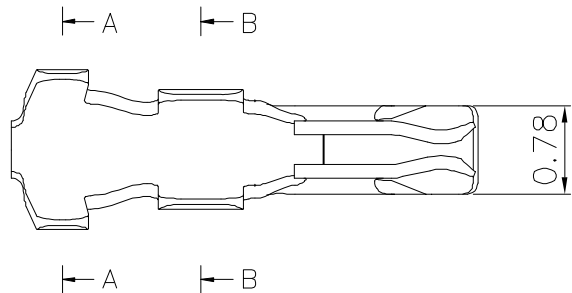


环保物料

主要技术参数
Main Specifications

线数 (poles): 2 to 20P
 额定电流 (Current rating): 1.0A AC, DC
 额定电压 (Voltage rating): 50V AC, DC
 温度范围 (Temperature range): -25°C to +85°C
 接触电阻 (Contact resistance): $\leq 20m\Omega$
 绝缘电阻 (Insulation resistance): $\geq 100m\Omega$
 耐电压 (Withstand voltage): 500V AC/minute
 适用线规 (Applicable wire): AWG #32 to #28



1	Terminal	Phos Bronze tin 磷青铜镀锡		
序号	名称/料号	材料	数量	附注

				GENERAL TOLERANCES		SCALE: 1:1	NAME	DATE
				LINEAR	ANGLES			
				0.0±0.35	X° REF±6°	APPROVED	黎腾	2017.06.16
A0	新图面发行	2017.06.16	UNIT: MM	0.00±0.25	X° ±3°	DESIGNER	肖坤权	2017.06.16
REV.	REVISION RECORD	DATE	SIZE: A4	0.000±0.15	X° X'±2°	DRAWN	旷淇	2017.06.16

康导新能源 网址: www.dgconne.com 电话: 0769-85337633 邮箱: 2850175988@qq.com 传真: 0769-85392827		PART. NO: 21003T
TITLE: 1.0mmPITCH TERMINAL		DWG. NO:
REV:	A0	SHEET: 1/1