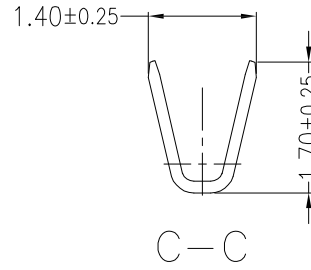
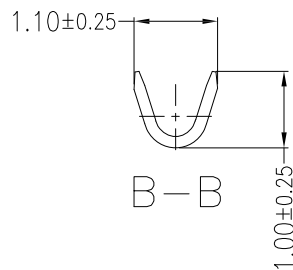
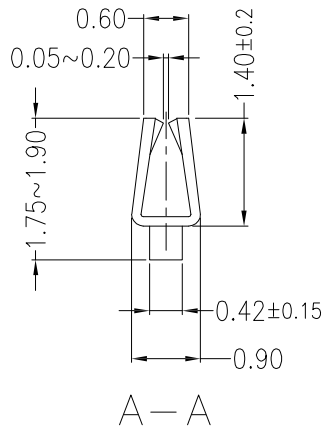
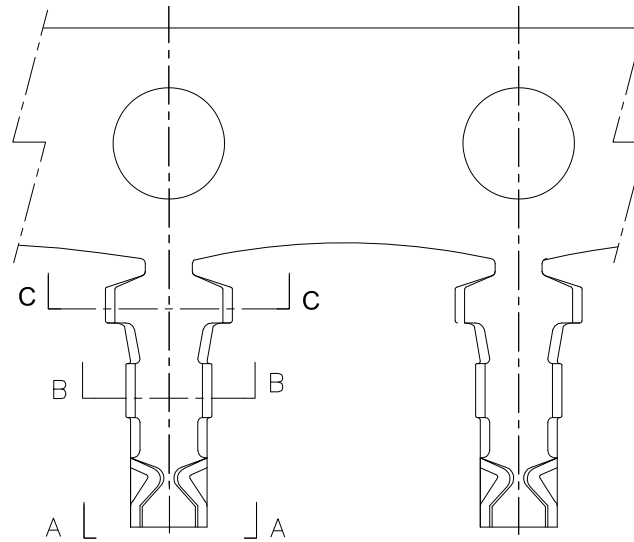
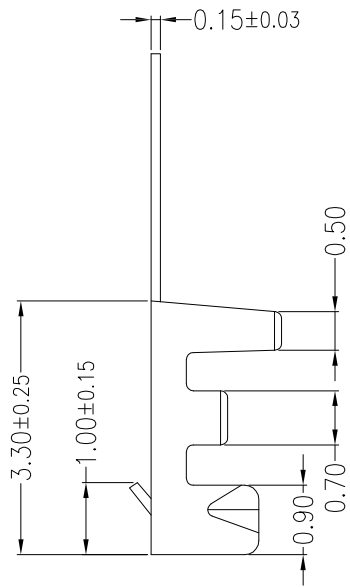


环保物料



Specifications:

Contact resistance: $\leq 20m\Omega$

Insulation resistance: $\geq 100M\Omega$


Rated voltage: 125V AC DC

Rated current: 1.0A AC DC

Withstand Voltage: 500V AC/minute

Temperature Range: $-25^{\circ}C \sim +85^{\circ}C$

Wire Range	Insulation O. D.	Material	Finish	Qty/Reel
AWG #28~#32	1.00mm (max)	Phosphor bronze	Tin-plated	/

GENERAL TOLERANCES		SCALE:	NAME	DATE	 康导新能源 网址: www.dgonne.com 电话: 0769-85337633 邮箱: 2850175986@qq.com 传真: 0769-85392827	PART. NO: 21251T
LINEAR	ANGLES	APPROVED	黎腾	2017.06.16		
0.00±0.35	X° REF±6°	DESIGNER	肖坤权	2017.06.16		
0.00±0.25	X° ±3°	DRAWN	旷淇	2017.06.16		
REV.	REVISION RECORD	DATE	UNIT: MM	SIZE: A4	TITLE: 1.25mmPITCH TERMINAL	REV: A0 SHEET: 1/1