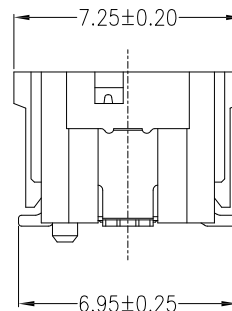
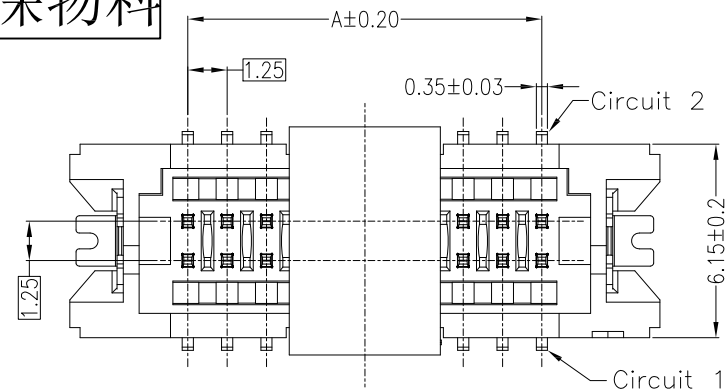
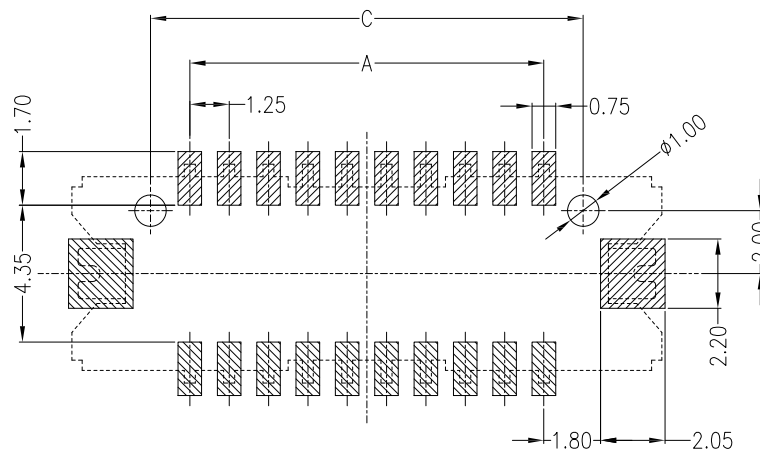
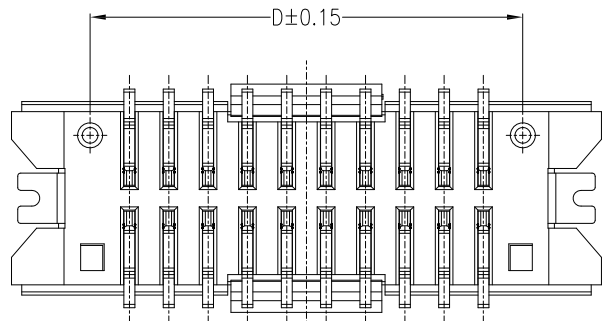
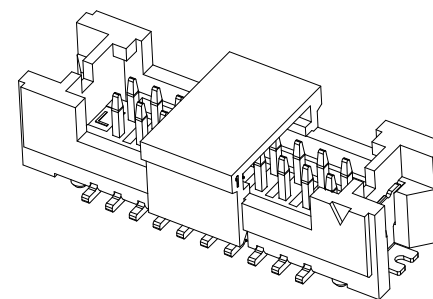
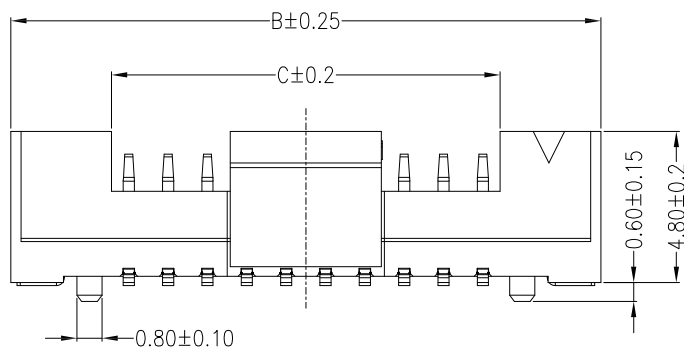


环保物料



Specifications:

- Poles: 10 to 50
- Contact resistance: $\leq 30m\Omega$
- Insulation resistance: $\geq 500M\Omega$
- Rated voltage: 150V AC DC
- Rated current: 1.0A AC DC
- Withstand Voltage: 500V AC/minute
- Temperature Range: $-25^{\circ}C \sim +85^{\circ}C$
- Housing: PA9T UL94V-0, Natural (Beige)
- CAP: PA9T UL94V-0, Natural (Beige)
- Contacts: Brass/Sn-plated or Gold-flash
- Solder Tabs: Brass/Sn-plated or Gold-flash



SUGGESTED PCB LAYOUT

Circuits	Dimensions (mm)			
	A	B	C	D
2x05P	5.00	12.50	6.10	7.50
2x10P	11.25	18.75	12.35	13.75
2x15P	17.50	25.00	18.60	20.00
2x20P	23.75	31.25	24.85	26.25
2x25P	30.00	37.50	31.10	32.50



GENERAL TOLERANCES

LINEAR	ANGLES
0.0 ± 0.35	X° REF ± 6°
0.00 ± 0.25	X° ± 3°
0.000 ± 0.15	X° X' ± 2°

SCALE:

1:1

NAME

黎腾

DESIGNER

旷淇

DATE

2017.06.16

2017.06.16

2017.06.16



康导新能源

网址: www.dgonne.com 电话: 0769-85337633
邮箱: 2850176986@qq.com 传真: 0769-85392827

TITLE:

1.25mm PITCH 180° WAFER SMT TYPE

PART. NO:

21258AWVB

DWG. NO:

REV: A0

SHEET: 1/1

A0 新图面发行

REVISION RECORD

2017.06.16

DATE

UNIT: MM

SIZE: A4

1

2

3

4

5

6

7

8