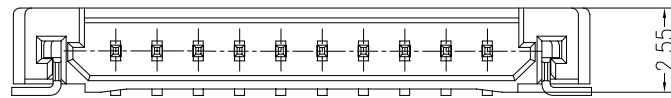
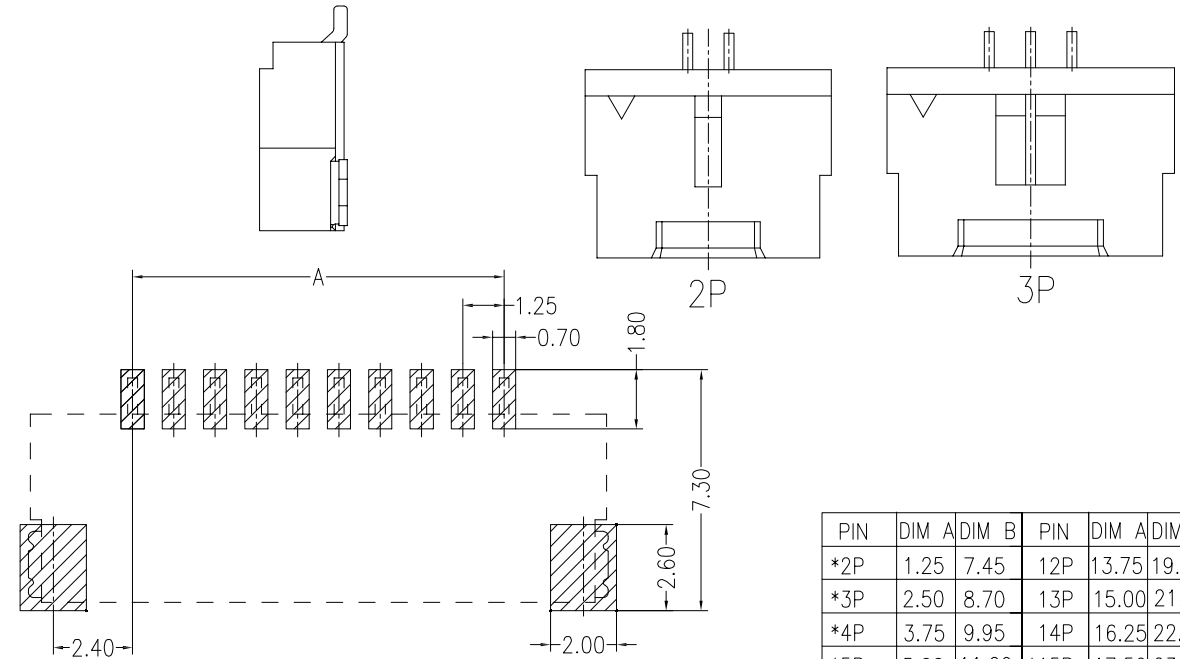
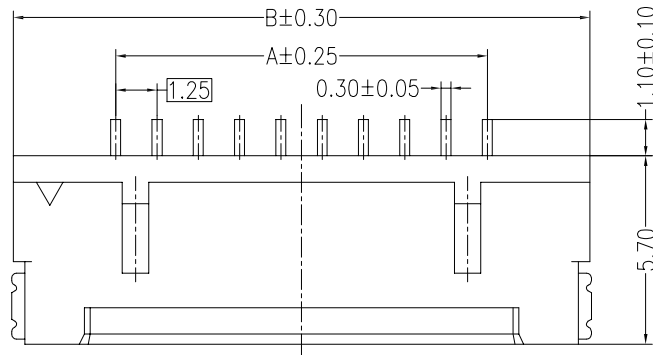
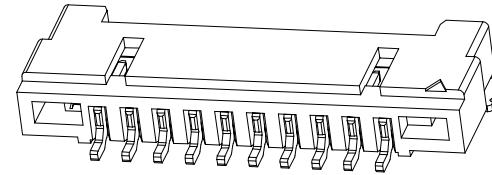
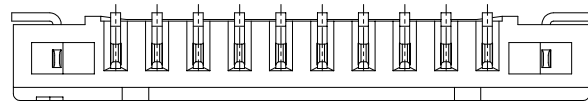


环保物料

Specifications:
 Poles: 2 to 30
 Contact resistance: $\leq 30m\Omega$
 Insulation resistance: $\geq 500M\Omega$
 Rated voltage: 150V AC DC
 Rated current: 1A AC DC
 Withstand Voltage: 500V AC/minute
 Temperature Range: $-25^{\circ}C \sim +85^{\circ}C$
 Housing: PA6T UL94V-0, Natural
 Contacts: Brass/ MATTE Sn-plated
 Solder tabs: Brass/MATTE Sn-plated



PCB LAYOUT(Tolerance: ± 0.05)

PIN	DIM A	DIM B	PIN	DIM A	DIM B
*2P	1.25	7.45	12P	13.75	19.95
*3P	2.50	8.70	13P	15.00	21.20
*4P	3.75	9.95	14P	16.25	22.45
*5P	5.00	11.20	*15P	17.50	23.70
6P	6.25	12.45	*20P	23.75	29.95
7P	7.50	13.70	21P	25.00	31.20
8P	8.75	14.95	*25P	30.00	36.20
9P	10.00	16.20	*30P	36.25	42.45
*10P	11.25	17.45			
11P	12.50	18.70			

GENERAL TOLERANCES		SCALE:	NAME	DATE	康导新能源 网址: www.dgconne.com 电话: 0769-85337633 邮箱: 2850175986@qq.com 传真: 0769-85392827	PART. NO:		
LINEAR	ANGLES	1:1	黎腾	2017.06.16		21256AWR		
0.0 \pm 0.35	X° REF $\pm 6^{\circ}$	APPROVED	肖坤权	2017.06.16		DWG. NO:		
0.00 \pm 0.25	X° $\pm 3^{\circ}$	DESIGNER	旷淇	2017.06.16		REV: A0 SHEET: 1/1		
REV.	REVISION RECORD	DATE	SIZE: A4	0.000 \pm 0.15	X° X' $\pm 2^{\circ}$	DRAWN	TITLE:	1.25mm PITCH 90° WAFER SMT TYPE