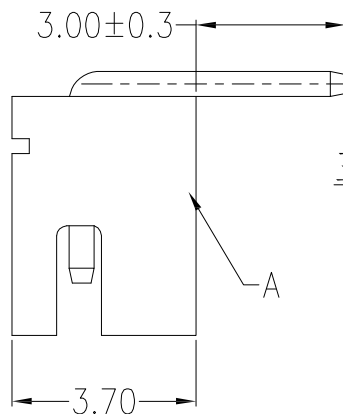
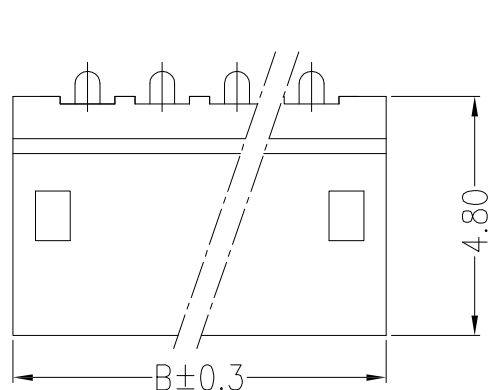
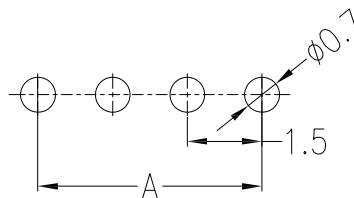
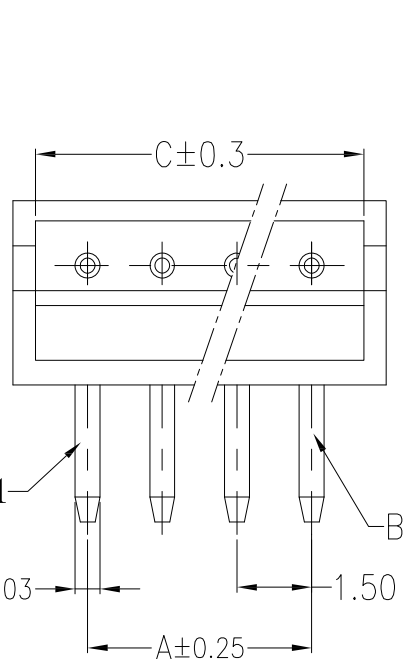


环保物料

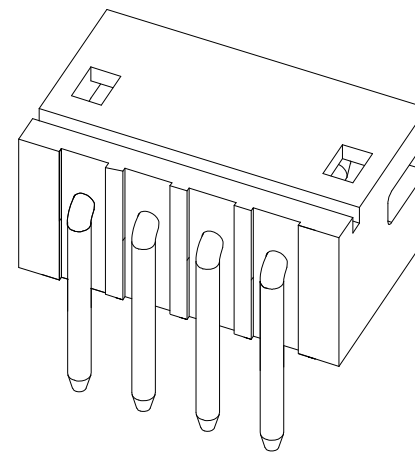


主要技术参数 Main Specifications

线 数 (Poles): 02 to 16
 接触电阻 (Contact resistance): $\leq 20m\Omega$
 绝缘电阻 (Insulation resistance): $\geq 500M\Omega$
 额定电压 (Rated voltage): 125V AC DC
 额定电流 (Rated current): 1.0A AC DC
 耐 电 压 (Withstand Voltage): 500V AC/minute
 温度范围 (Temperature Range) : $-25^{\circ}C \sim +120^{\circ}C$



SUGGESTED PCB LAYOUT
(COMPONENT SIDE)



Circuits	Dimensions (mm)		
	DIM. A	DIM. B	DIM. C
02	1.50	4.50	3.70
03	3.00	6.00	5.20
04	4.50	7.50	6.70
05	6.00	9.00	8.20
06	7.50	10.50	9.70
07	9.00	12.00	11.20
08	10.50	13.50	12.70
09	12.00	15.00	14.20
10	13.50	16.50	15.70
11	15.00	18.00	17.20
12	16.50	19.50	18.70
13	18.00	21.00	20.20
14	19.50	22.50	21.70
15	21.00	24.00	23.20

ITEM	COMPONENT	Q'TY	MATERIAL	FINISH
B	CONTACT	2~15PCS	Brass	Sn-plated
A	PEDESTAL	1 PCS	PA66	COLOR:White

REV.	REVISION RECORD	DATE	UNIT: MM	GENERAL TOLERANCES		SCALE: 1:1	NAME	DATE
				LINEAR	ANGLES			
A0	新图面发行	2017.06.16	MM	0.00±0.25	X° ±3°		黎腾	2017.06.16
				0.00±0.15	X° X'±2°		肖坤权	2017.06.16
							旷淇	2017.06.16



PART. NO:	21501AW	
DWG. NO:		
REV:	A0	SHEET: 1/1