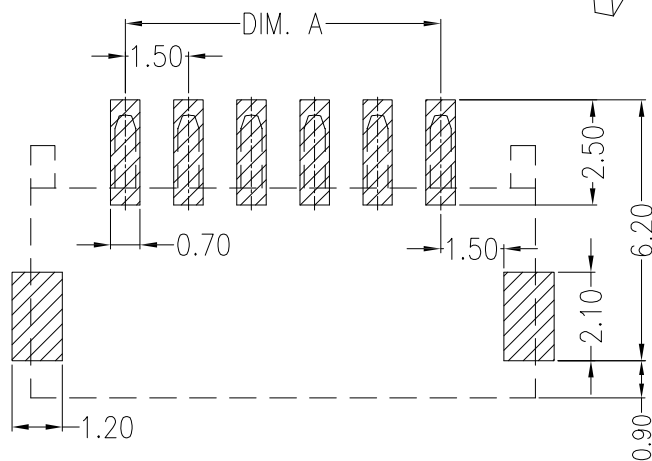
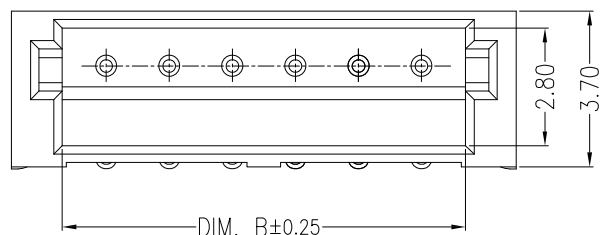
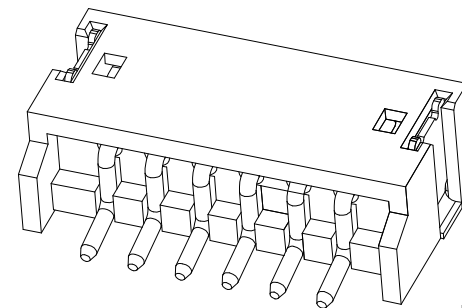
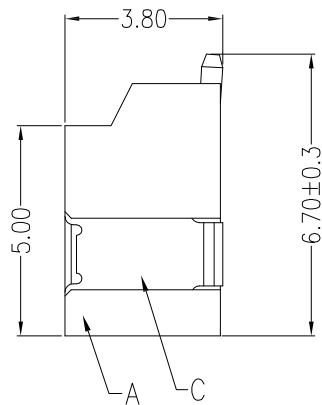
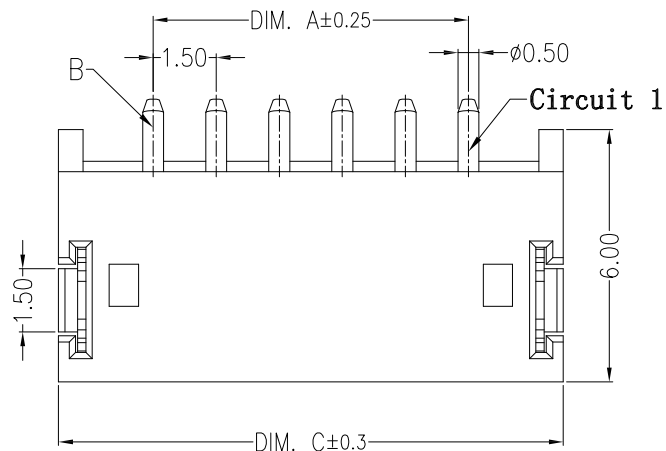


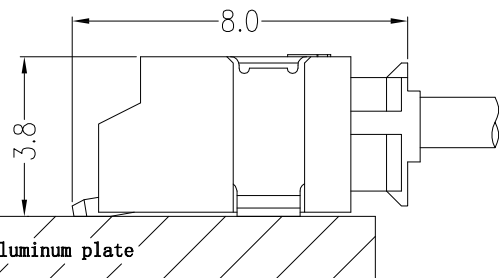
环保物料

主要技术参数 Main Specifications

线 数 (Poles): 02 to 16
 接触电阻 (Contact resistance): $\leq 20m\Omega$
 绝缘电阻 (Insulation resistance): $\geq 500M\Omega$
 额定电压 (Rated voltage): 125V AC DC
 额定电流 (Rated current): 1.0A AC DC
 耐 电 压 (Withstand Voltage): 500V AC/minute
 温度范围 (Temperature Range): $-25^{\circ}C \sim +105^{\circ}C$



Circuits	Dimensions (mm)		
	DIM. A	DIM. B	DIM. C
02	1.50	3.60	6.00
03	3.00	5.10	7.50
04	4.50	6.60	9.00
05	6.00	8.10	10.50
06	7.50	9.60	12.00
07	9.00	11.10	13.50
08	10.50	12.60	15.00
09	12.00	14.10	16.50
10	13.50	15.60	18.00
11	15.00	17.10	19.50
12	16.50	18.60	21.00
13	18.00	20.10	22.50
14	19.50	21.60	24.00
15	21.00	23.10	25.50
16	22.50	24.60	27.00



Assembly Layout

SUGGESTED PCB LAYOUT

ITEM	COMPONENT	Q'TY	MATERIAL	FINISH
C	SOLDER TAB	2 PCS	PhosphorBronze	Sn-plated
B	CONTACT	2~16 PCS	Brass	Sn-plated
A	PEDESTAL	1 PCS	LCP	UL 94V-0, COLOR:BEIGE

GENERAL TOLERANCES		SCALE:	NAME	DATE	康 导 新 能 源 网址: www.dgonne.com 电话: 0769-85337633 邮箱: 2850176988@qq.com 传真: 0769-85392827	PART. NO: 21501AWR				
LINEAR	ANGLES	1:1	黎腾	2017.06.16						
0.00 ± 0.35	X° REF ± 6°	APPROVED	肖坤权 <td>2017.06.16 </td>	2017.06.16						
0.00 ± 0.25	X° ± 3°	DESIGNER	旷淇 <td>2017.06.16 </td>	2017.06.16						
REV.	REVISION RECORD	DATE	UNIT: MM	SIZE: A4	0.000 ± 0.15	X° X' ± 2°	DRAWN	TITLE: 1.50mmPITCH 90° WAFER SMT TYPE	REV: A0	SHEET: 1/1