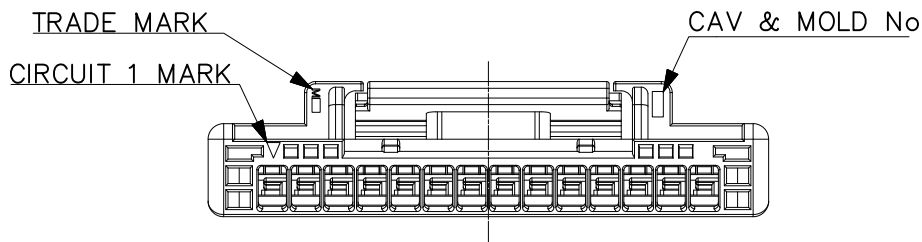
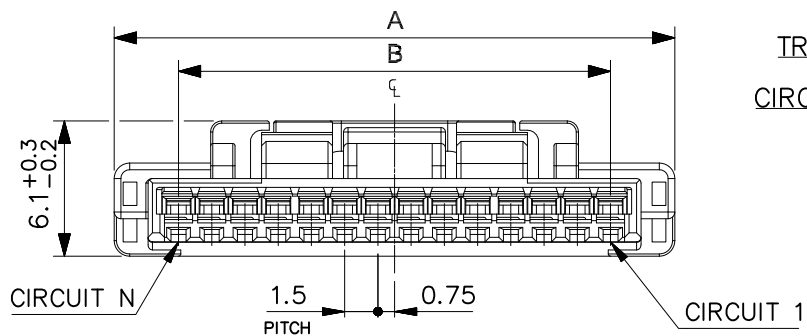
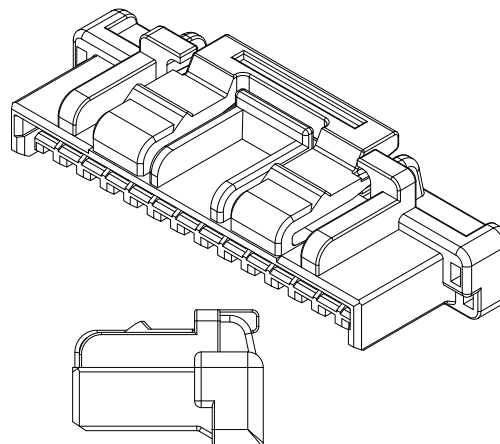
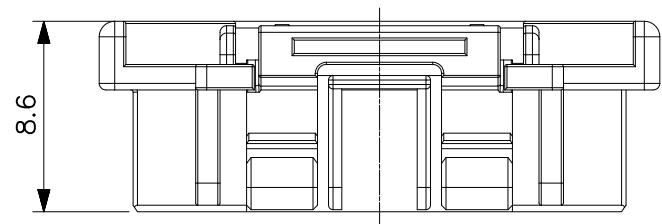


环保物料

主要技术参数 Main Specifications

- 线 数 (Poles): 02 to 15
- 接触电阻 (Contact resistance): $\leq 20m\Omega$
- 绝缘电阻 (Insulation resistance): $\geq 500M\Omega$
- 额定电压 (Rated voltage): 125V AC DC
- 额定电流 (Rated current): 2.5A AC DC
- 耐 电 压 (Withstand Voltage): 500V AC/minute
- 温度范围 (Temperature Range): $-25^{\circ}C \sim +105^{\circ}C$



21	26.8	15
19.5	25.3	14
18	23.8	13
16.5	22.3	12
15	20.8	11
13.5	19.3	10
12	17.8	9
10.5	16.3	8
9	14.8	7
7.5	13.3	6
6	11.8	5
4.5	10.3	4
3	8.8	3
1.5	7.3	2
B	A	CIRCUIT

A	HOUSING	1 PCS	PBT UL94V-0	COLOR: NATURAL
ITEM	COMPONENT	Q'TY	MATERIAL	FINISH

		GENERAL TOLERANCES		SCALE: 1:1	NAME	DATE	<p>康 导 新 能 源</p> <p>网址: www.dgonne.com 电话: 0769-85337633 邮箱: 2850175988@qq.com 传真: 0769-85392827</p>	PART. NO:	21506Y
		LINEAR	ANGLES	APPROVED	黎腾	2017.06.16		DWG. NO:	
A0	新图面发行	2017.06.16	UNIT: MM	DESIGNER	肖坤权	2017.06.16		REV:	A0
REV.	REVISION RECORD	DATE	SIZE: A4	DRAWN	旷淇	2017.06.16		SHEET:	1/1