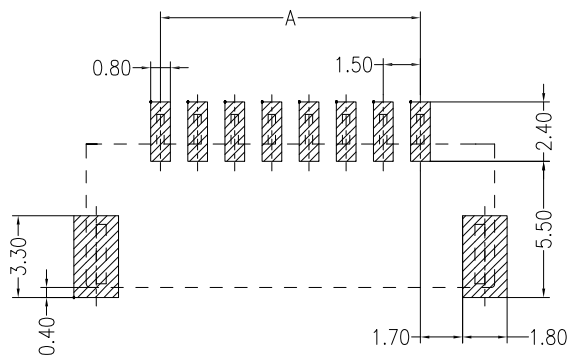
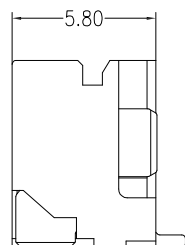
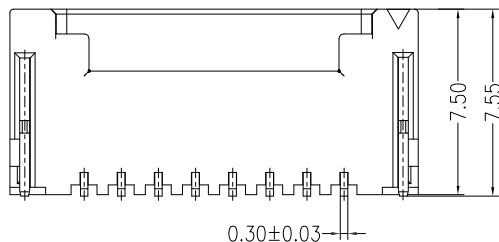
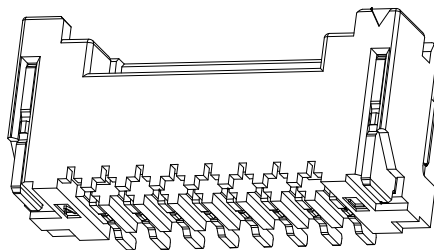
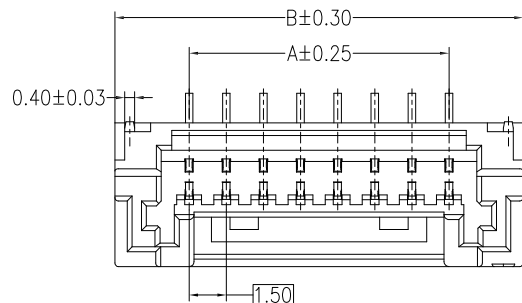


# 环保物料

## Specifications:

Poles: 02 to 16  
 Contact resistance:  $\leq 20m\Omega$   
 Insulation resistance:  $\geq 500M\Omega$   
 Rated voltage: 100V AC DC  
 Rated current: 2.0A AC DC  
 Withstand Voltage: 500V AC/minute  
 Temperature Range:  $-25^{\circ}C \sim +85^{\circ}C$   
 Housing: PA9T UL94V-0, Natural  
 Contacts: Phosphor Bronze / Sn-plated  
 Solder tabs: Brass / Sn-plated



PCB LAYOUT (Tolerance:  $\pm 0.05$ )

PIN.	DIM A	DIM B	PIN.	DIM A	DIM B
2pin	1.50	7.50	10pin	13.50	19.50
3pin	3.00	9.00	11pin	15.00	21.00
4pin	4.50	10.50	12pin	16.50	22.50
5pin	6.00	12.00	13pin	18.00	24.00
6pin	7.50	13.50	14pin	19.50	25.50
7pin	9.00	15.00	15pin	21.00	27.00
8pin	10.50	16.50	16pin	22.50	28.50
9pin	12.00	18.00			

GENERAL TOLERANCES			SCALE:	NAME	DATE	 康导新能源 网址: www.dgonne.com 电话: 0769-85337633 邮箱: 2850176986@qq.com 传真: 0769-85392827	PART. NO:
LINEAR	ANGLES		1:1	黎腾	2017.06.16		21507AWV
0.0 $\pm$ 0.35	X° REF $\pm$ 6°		APPROVED	肖坤权	2017.06.16		DWG. NO:
0.00 $\pm$ 0.25	X° $\pm$ 3°		DESIGNER	旷淇	2017.06.16		REV: A0 SHEET: 1/1
REV.	REVISION RECORD	DATE	SIZE: A4	0.000 $\pm$ 0.15	X° X' $\pm$ 2°	DRAWN	TITLE: 1.50mm PITCH 180° WAFER SMT TYPE