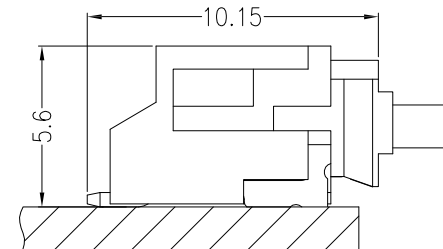
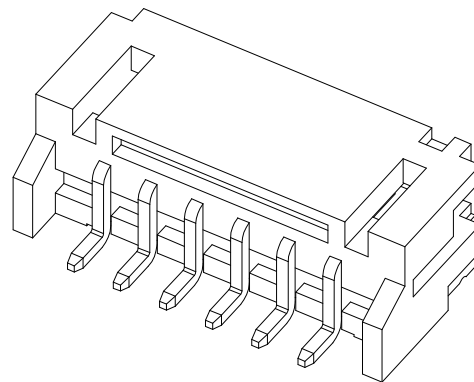


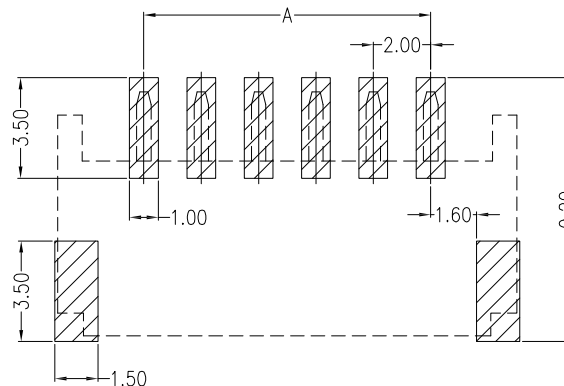
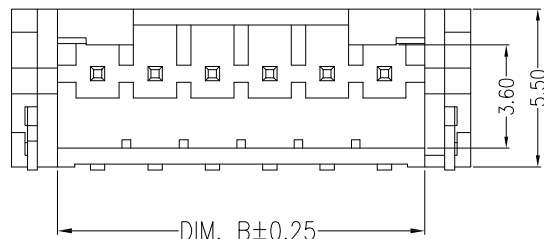
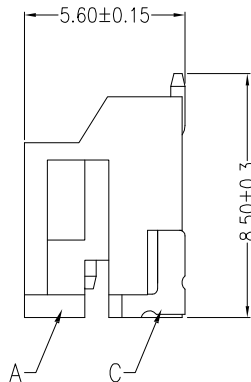
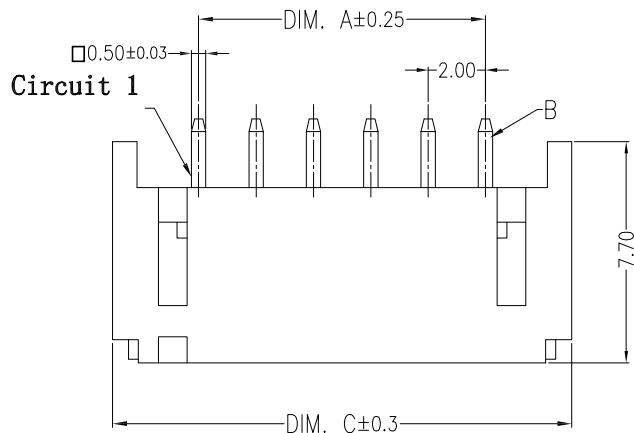
环保物料

主要技术参数 Main Specifications

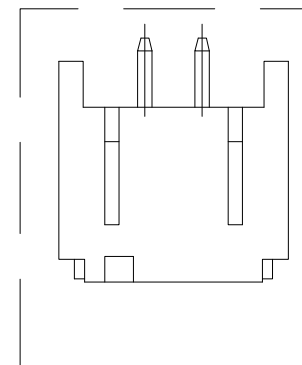
线 数 (Poles): 02 to 16  
 接触电阻 (Contact resistance):  $\leq 20m\Omega$   
 绝缘电阻 (Insulation resistance):  $\geq 1000M\Omega$   
 额定电压 (Rated voltage): 250V AC DC  
 额定电流 (Rated current): 2.0A AC DC  
 耐电压 (Withstand Voltage): 1000V AC/minute  
 温度范围 (Temperature Range):  $-25^{\circ}C \sim +105^{\circ}C$



Assembly Layout



SUGGESTED PCB LAYOUT



Circuits	Dimensions(mm)		
	DIM. A	DIM. B	DIM. C
02	2.00	4.75	8.00
03	4.00	6.75	10.00
04	6.00	8.75	12.00
05	8.00	10.75	14.00
06	10.00	12.75	16.00
07	12.00	14.75	18.00
08	14.00	16.75	20.00
09	16.00	18.75	22.00
10	18.00	20.75	24.00
11	20.00	22.75	26.00
12	22.00	24.75	28.00
13	24.00	26.75	30.00
14	26.00	28.75	32.00
15	28.00	30.75	34.00
16	30.00	32.70	36.00

ITEM	COMPONENT	Q'TY	MATERIAL	FINISH
C	SOLDER TAB	2 PCS	Brass	Sn-plated
B	CONTACT	2~16 PCS	Brass	Sn-plated
A	PEDESTAL	1 PCS	LCP	UL 94V-0, COLOR:BEIGE/RED/BLACK

GENERAL TOLERANCES		SCALE:	NAME	DATE	康 导 新 能 源 网址: www.dgonns.com 电话: 0769-85337633 邮箱: 2850176988@qq.com 传真: 0769-85392827	PART. NO: 22001AWR				
LINEAR	ANGLES	1:1	黎腾	2017.06.16						
0.0 ± 0.35	X° REF ± 6°	APPROVED	肖坤权 <td>2017.06.16</td>	2017.06.16						
0.00 ± 0.25	X° ± 3°	DESIGNER	旷淇 <td>2017.06.16</td>	2017.06.16						
REV.	REVISION RECORD	DATE	UNIT: MM	SIZE: A4	0.000 ± 0.15	X° X' ± 2°	DRAWN	TITLE: 2.00mmPITCH 90° WAFER SMT TYPE	REV: A0	SHEET: 1/1