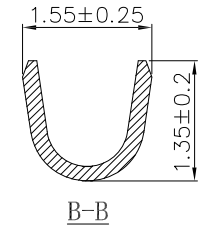
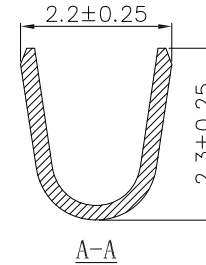
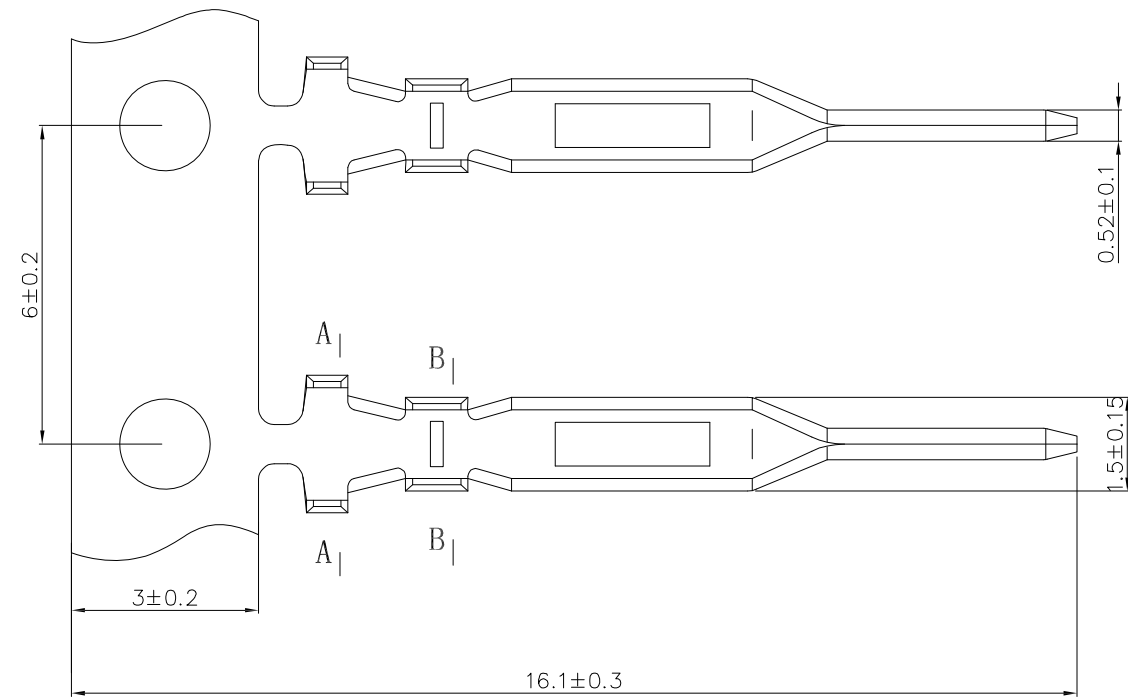
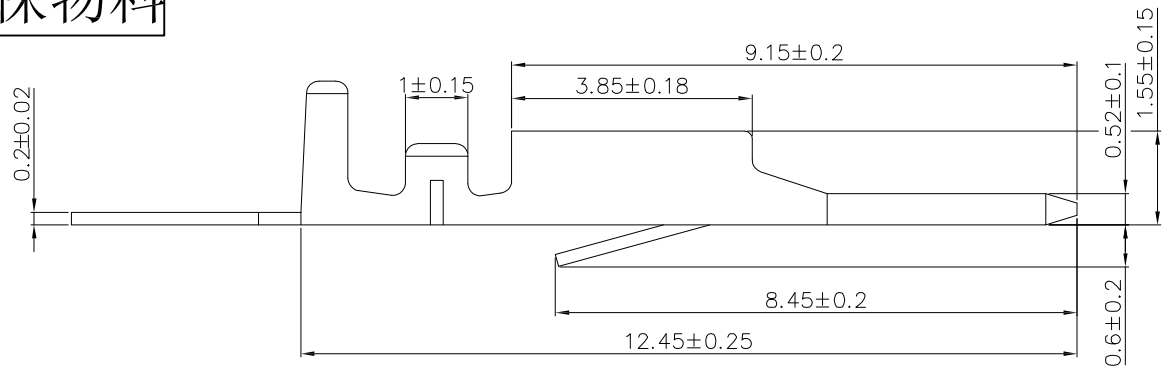


环保物料

主要技术参数 Main Specifications

- 接触电阻 (Contact resistance): $\leq 20m\Omega$
- 绝缘电阻 (Insulation resistance): $\geq 1000M\Omega$
- 额定电压 (Rated voltage): 150V AC DC
- 额定电流 (Rated current): 3.0A AC DC
- 耐电压 (Withstand Voltage): 500V AC/minute
- 温度范围 (Temperature Range): $-25^{\circ}C \sim +85^{\circ}C$



Wire Range	Insulation O.D.	Material	Finish	Qty/Reel
AWG #22~#28	1.0~1.50mm	Phosphor bronze	Tin-plated	

GENERAL TOLERANCES		SCALE: 1:1	NAME	DATE	康导新能源 网址: www.dgonne.com 电话: 0769-85337633 邮箱: 2850176986@qq.com 传真: 0769-85392827	PART. NO: 22002RT		
LINEAR	ANGLES					APPROVED	黎腾	2017.06.16
0.0±0.35	X° REF±6°	DESIGNER	肖坤权	2017.06.16	TITLE: 2.00mmPITCH HOUSING	REV:	A0	SHEET: 1/1
0.00±0.25	X° ±3°	DRAWN	旷淇	2017.06.16				
REV.	REVISION RECORD	DATE	SIZE: A4	0.000±0.15	X° X'±2°			