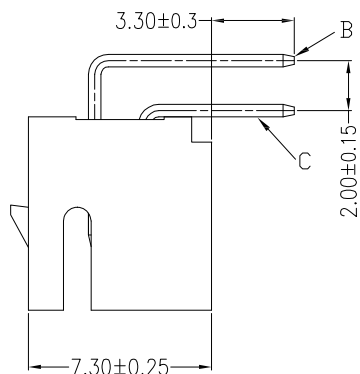
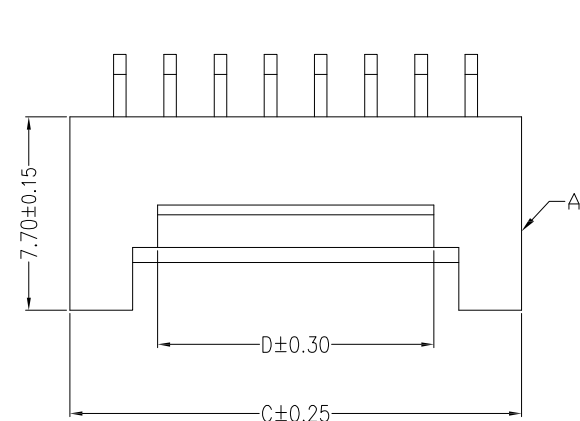


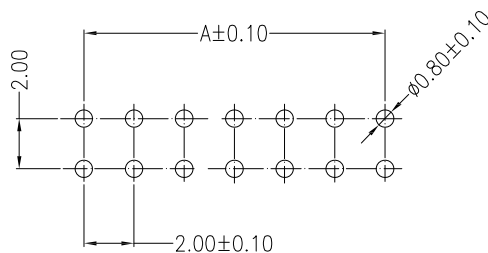
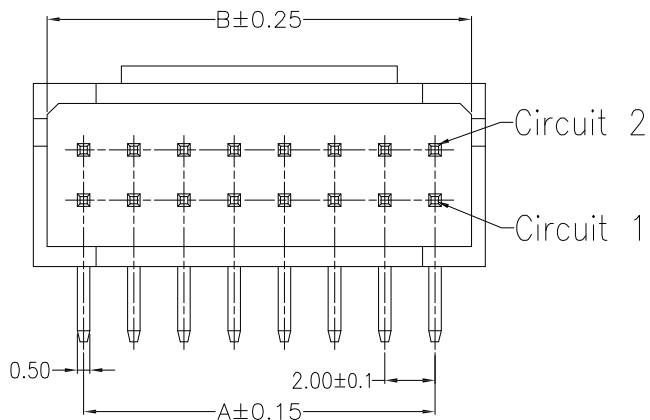
环保物料



### 主要技术参数 Main Specifications

线 数 (Poles): 04 to 60  
 接触电阻 (Contact resistance):  $\leq 30m\Omega$   
 绝缘电阻 (Insulation resistance):  $\geq 1000M\Omega$   
 额定电压 (Rated voltage): 250V AC DC  
 额定电流 (Rated current): 3.0A AC DC  
 耐 电 压 (Withstand Voltage): 1000V AC/minute  
 温度范围 (Temperature Range) :  $-25^{\circ}C \sim +85^{\circ}C$

Circuits	Dimensions (mm)			
	A	B	C	D
2*2	2.00	4.90	6.00	3.00
2*3	4.00	6.90	8.00	3.00
2*4	6.00	8.90	10.00	5.00
2*5	8.00	10.90	12.00	5.00
2*6	10.00	12.90	14.00	7.00
2*7	12.00	14.90	16.00	9.00
2*8	14.00	16.90	18.00	11.00
2*9	16.00	18.90	20.00	13.00
2*10	18.00	20.90	22.00	15.00
2*11	20.00	22.90	24.00	17.00
2*12	22.00	24.90	26.00	19.00
2*13	24.00	26.90	28.00	21.00
2*14	26.00	28.90	30.00	23.00
2*15	28.00	30.90	32.00	25.00
~	~	~	~	~
2*30	58.00	60.90	62.00	55.00



SUGGESTED PCB LAYOUT  
(COMPONENT SIDE)

C	CONTACT	2~15 PCS	Brass	Sn-plated
B	CONTACT	2~15 PCS	Brass	Sn-plated
A	PEDESTAL	1 PCS	PA66	94-V0
ITEM	COMPONENT	Q'TY	MATERIAL	FINISH

GENERAL TOLERANCES		SCALE:	NAME	DATE	康 导 新 能 源 网址: www.dgonns.com 电话: 0769-85337633 邮箱: 2850176986@qq.com 传真: 0769-85392827	PART. NO: 22004AW			
LINEAR	ANGLES	1:1	APPROVED	黎腾			DWG. NO:		
$0.0 \pm 0.35$	$X^{\circ} \text{ REF} \pm 6^{\circ}$	DESIGNER	肖坤权	2017.06.16					
$0.00 \pm 0.25$	$X^{\circ} \pm 3^{\circ}$	DRAWN	旷淇	2017.06.16					
REV.	REVISION RECORD	DATE	UNIT: MM	SIZE: A4	$0.000 \pm 0.15$	$X^{\circ} X' \pm 2^{\circ}$	TITLE: 2.00mmPITCH 90° WAFER DIP TYPE	REV: A0	SHEET: 1/1