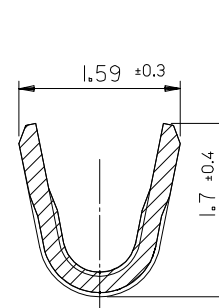
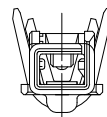
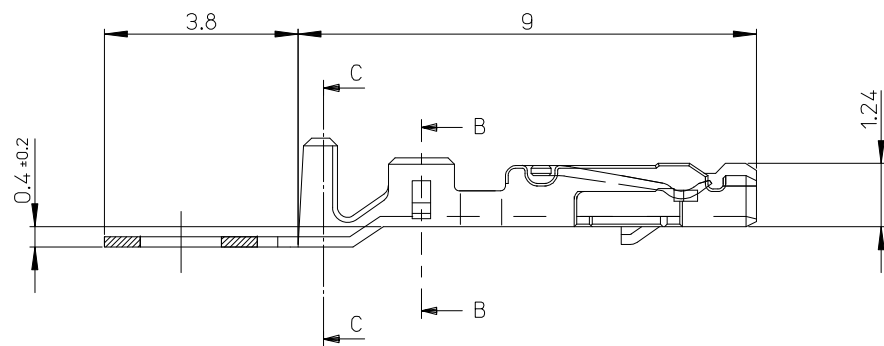
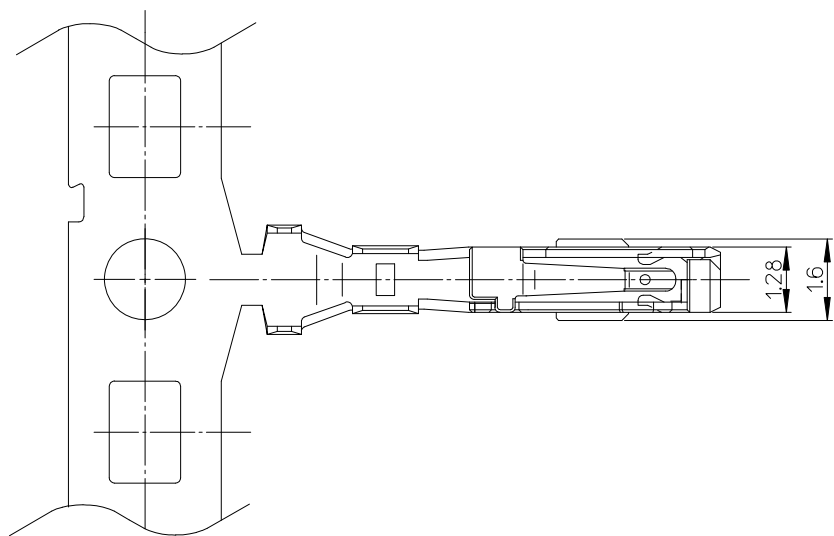


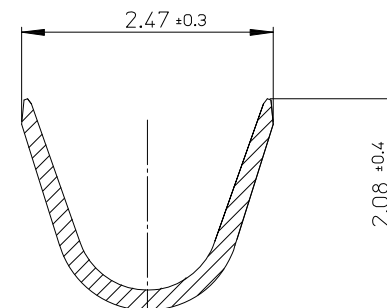
环保物料

主要技术参数 Main Specifications

接触电阻 (Contact resistance): $\leq 20m\Omega$
 绝缘电阻 (Insulation resistance): $\geq 1000M\Omega$
 额定电压 (Rated voltage): 150V AC DC
 额定电流 (Rated current): 3.0A AC DC
 耐电压 (Withstand Voltage): 500V AC/minute
 温度范围 (Temperature Range): $-25^{\circ}C \sim +85^{\circ}C$



SECTION B-B
(SCALE:20-1)



SECTION C-C
(SCALE:20-1)

Wire Range	Insulation O.D.	Material	Finish	Qty/Reel
AWG #22~#26	0.95~1.50mm	Copper Alloy	Tin-plated	

		GENERAL TOLERANCES		SCALE: 1:1	NAME	DATE	康导新能源 PART. NO: 22005T1 网址: www.dgonns.com 电话: 0769-85337633 邮箱: 2850175988@qq.com 传真: 0769-85392827	
		LINEAR	ANGLES	APPROVED	黎腾	2017.06.16		
A0	新图面发行	2017.06.16	UNIT: MM	0.00±0.25	X° ±3°	DESIGNER	肖坤权	
REV.	REVISION RECORD	DATE	SIZE: A4	0.000±0.15	X° X'±2°	DRAWN	旷淇	
TITLE: 2.00mmPITCH TERMINAL							REV: A0	SHEET: 1/1