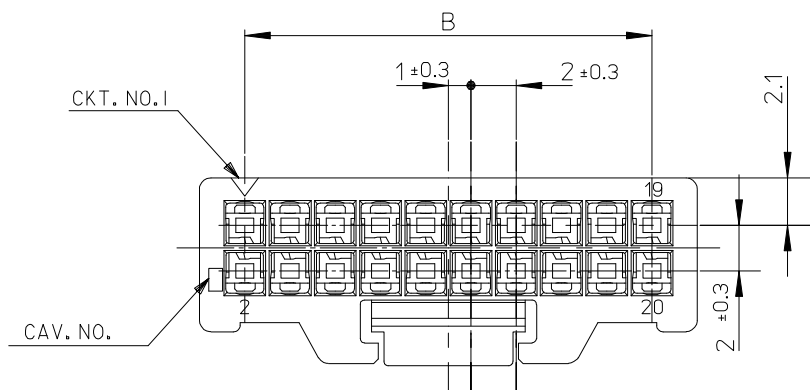
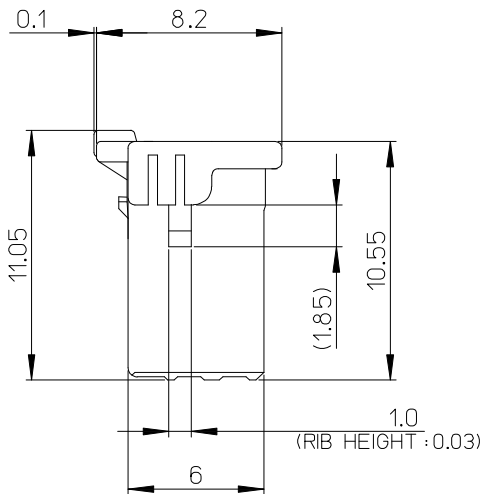
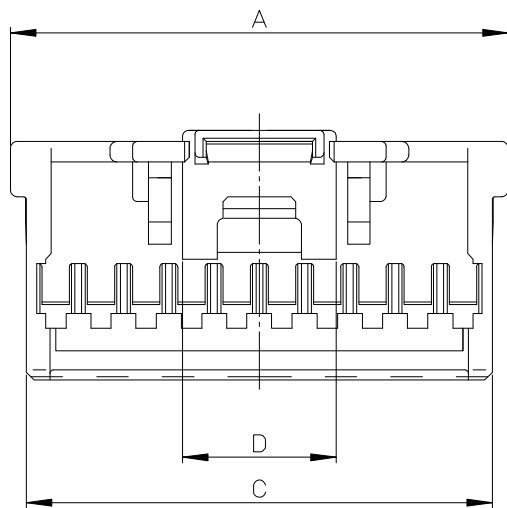


环保物料



Specifications:

Contact resistance: $\leq 20m\Omega$
 Insulation resistance: $\geq 1000M\Omega$
 Rated voltage: 125V AC DC
 Rated current: 3.0A AC DC
 Withstand Voltage: 1000V AC/minute
 Temperature Range: $-40^{\circ}C \sim +105^{\circ}C$
 Housing: NYLON66 UL94V-0 NATURAL



6.8	40.6	38	42	40
6.8	38.6	36	40	38
6.8	36.6	34	38	36
6.8	34.6	32	36	34
6.8	32.6	30	34	32
6.8	30.6	28	32	30
6.8	28.6	26	30	28
6.8	26.6	24	28	26
6.8	24.6	22	26	24
6.8	22.6	20	24	22
6.8	20.6	18	22	20
6.8	18.6	16	20	18
6.8	16.6	14	18	16
6.8	14.6	12	16	14
6.8	12.6	10	14	12
5.1	10.6	8	12	10
D	C	B	A	CKT.

		GENERAL TOLERANCES		SCALE: 1:1	NAME	DATE	康导新能源 网址: www.dgonne.com 电话: 0769-85337633 邮箱: 2850176986@qq.com 传真: 0769-85392827	PART. NO: 22005Y	
		LINEAR	ANGLES	APPROVED	黎腾	2017.06.16		DWG. NO:	
A0		0.00 ± 0.25	X° ± 3°	DESIGNER	肖坤权	2017.06.16		REV: A0 SHEET: 1/1	
REV.	REVISION RECORD	DATE	SIZE: A4	DRAWN	旷淇	2017.06.16		TITLE: 2.00mmPITCH HOUSING	