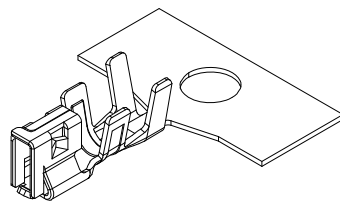
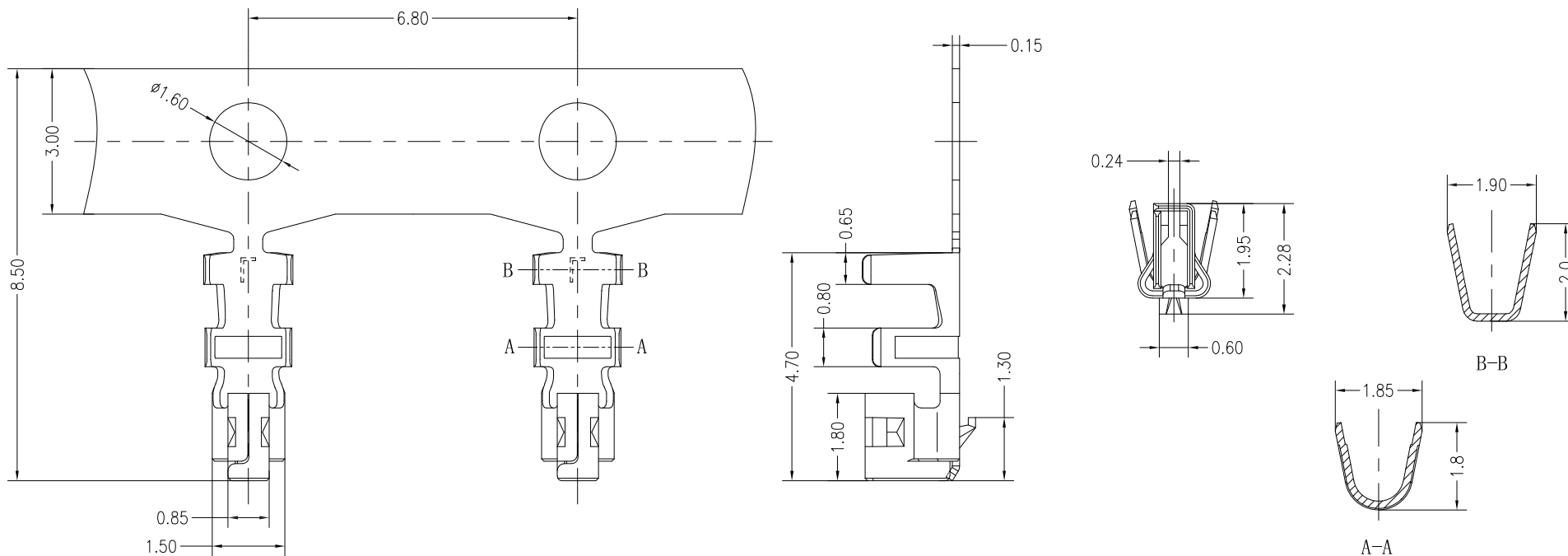


环保物料



主要技术参数 Main Specifications

接触电阻 (Contact resistance): $\leq 20m\Omega$
 绝缘电阻 (Insulation resistance): $\geq 1000M\Omega$
 额定电压 (Rated voltage): 150V AC DC
 额定电流 (Rated current): 3.0A AC DC
 耐电压 (Withstand Voltage): 500V AC/minute
 温度范围 (Temperature Range): $-25^{\circ}C \sim +85^{\circ}C$



Wire Range	Insulation O.D.	Material	Finish	Qty/Reel
AWG #22~#26	1.40mm (max)	Phosphor bronze	Tin-plated	

GENERAL TOLERANCES		SCALE:	NAME	DATE	 康导新能源 网址: www.dgoonne.com 电话: 0769-85337633 邮箱: 2850175988@qq.com 传真: 0769-85392827	PART. NO: 22009T		
LINEAR	ANGLES	1:1	APPROVED	黎腾			2017.06.16	
0.0±0.35	X° REF±6°		DESIGNER	肖坤权 <td>2017.06.16</td> <th>DWG. NO:</th>			2017.06.16	DWG. NO:
0.00±0.25	X° ±3°		DRAWN	旷淇 <td>2017.06.16</td> <td>REV: A0 SHEET: 1/1</td>			2017.06.16	REV: A0 SHEET: 1/1
REV.	REVISION RECORD	DATE	UNIT: MM	SIZE: A4	0.000±0.15	X° X'±2°	TITLE: 2.00mmPITCH TERMINAL	