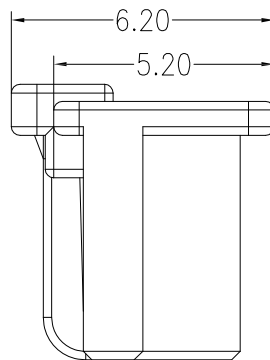
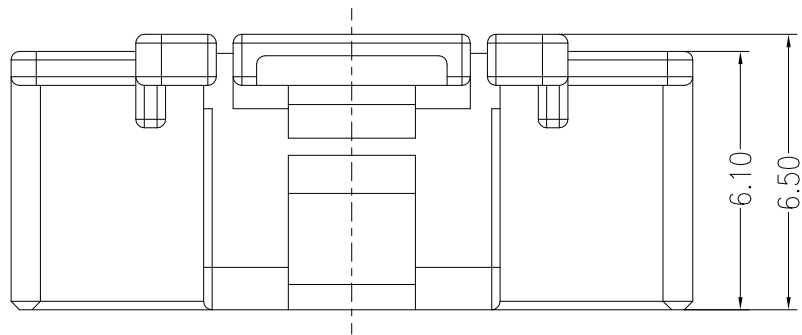
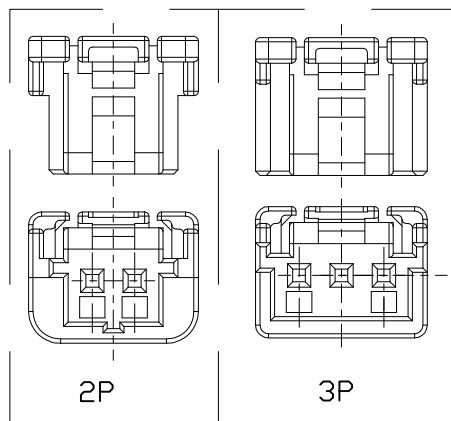
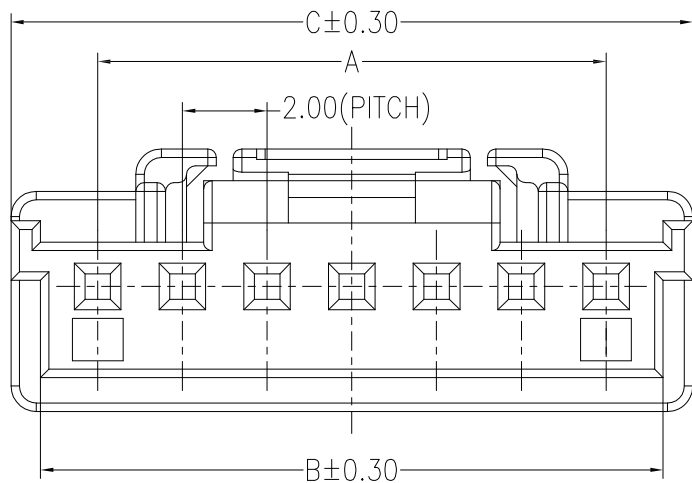
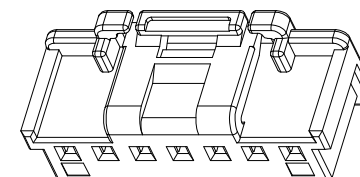


环保物料



主要技术参数 Main Specifications

线 数 (Poles): 02 to 15  
 材 质 (Material): PBT UL94V-0  
 接触电阻 (Contact resistance):  $\leq 10m\Omega$   
 绝缘电阻 (Insulation resistance):  $\geq 1000M\Omega$   
 额定电压 (Rated voltage): 125V AC DC  
 额定电流 (Rated current): 3.0A AC DC  
 耐 电 压 (Withstand Voltage): 500V AC/minute  
 温度范围 (Temperature Range):  $-40^{\circ}C \sim +105^{\circ}C$



PIN.	DIM A	DIM B	DIM C
2pin	2.00	4.70	8.00
3pin	4.00	6.70	8.10
4pin	6.00	8.70	10.10
5pin	8.00	10.70	12.10
6pin	10.00	12.70	14.10
7pin	12.00	14.70	16.10
8pin	14.00	16.70	18.10
9pin	16.00	18.70	20.10
10pin	18.00	20.70	22.10
11pin	20.00	22.70	24.10
12pin	22.00	24.70	26.10
13pin	24.00	26.70	28.10
14pin	26.00	28.70	30.10
15pin	28.00	30.70	32.10

				GENERAL TOLERANCES		SCALE: 1:1	NAME	DATE	康 导 新 能 源 网址: www.dgonns.com 电话: 0769-85337633 邮箱: 2850176988@qq.com 传真: 0769-85392827	PART. NO:	22009Y	
				LINEAR	ANGLES	APPROVED	黎腾	2017.06.16		DWG. NO:		
A0	新图面发行	2017.06.16	UNIT: MM	0.00±0.25	X° ±3°	DESIGNER	肖坤权	2017.06.16	TITLE:	2.00mmPITCH HOUSING		
REV.	REVISION RECORD	DATE	SIZE: A4	0.000±0.15	X° X'±2°	DRAWN	旷淇	2017.06.16	REV:	A0	SHEET:	1/1