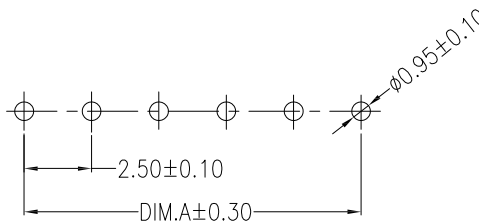
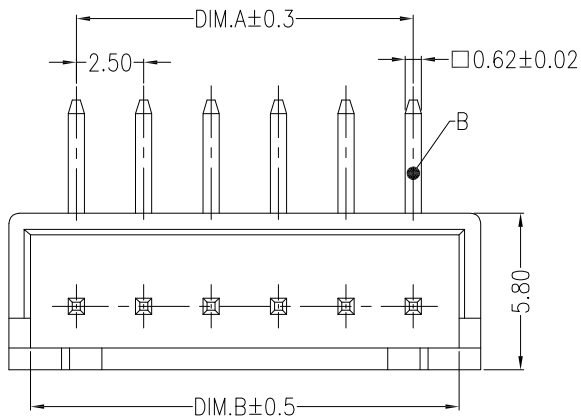
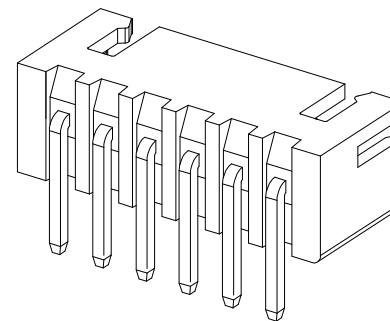
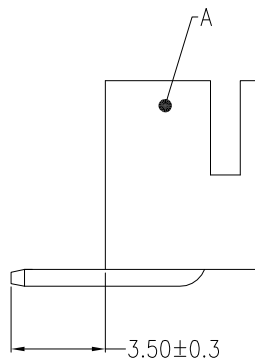
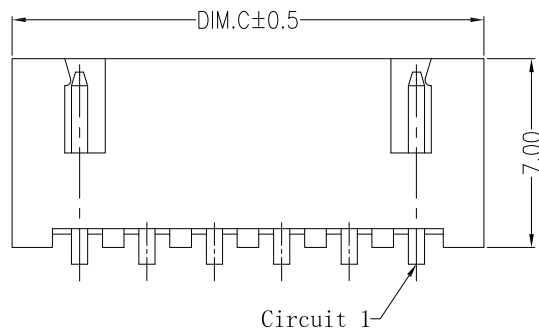


环保物料

主要技术参数 Main Specifications

线 数 (Poles): 02 to 16  
 接触电阻 (Contact resistance):  $\leq 20m\Omega$   
 绝缘电阻 (Insulation resistance):  $\geq 1000M\Omega$   
 额定电压 (Rated voltage): 250V AC DC  
 额定电流 (Rated current): 3.0A AC DC  
 耐 电 压 (Withstand Voltage): 1000V AC/minute  
 温度范围 (Temperature Range):  $-25^{\circ}C \sim +85^{\circ}C$



SUGGESTED PCB LAYOUT

Circuits	Dimensions (mm)		
	DIM. A	DIM. B	DIM. C
02	2.50	6.00	7.50
03	5.00	8.50	10.00
04	7.50	11.00	12.50
05	10.00	13.50	15.00
06	12.50	16.00	17.50
07	15.00	18.50	20.00
08	17.50	21.00	22.50
09	20.00	23.50	25.00
10	22.50	26.00	27.50
11	25.00	28.50	30.00
12	27.50	31.00	32.50
13	30.00	33.50	35.00
14	32.50	36.00	37.50
15	35.00	38.50	40.00
16	37.50	41.00	42.50

B	CONTACT	2~16 PCS	Brass	Tin-plated
A	PEDESTAL	1 PCS	PA66	COLOR:WHITE
ITEM	COMPONENT	Q'TY	MATERIAL	FINISH

		GENERAL TOLERANCES		SCALE: 1:1	NAME	DATE	康导新能源 网址: www.dgoon.com 电话: 0769-85337633 邮箱: 2850175988@qq.com 传真: 0769-85392827	PART. NO: 22501AW		
		LINEAR	ANGLES	APPROVED	黎腾	2017.06.16		DWG. NO:		
A0		0.00 ± 0.25	X° ± 3°	DESIGNER	肖坤权	2017.06.16		REV: A0 SHEET: 1/1		
REV.	REVISION RECORD	DATE	SIZE: A4	0.000 ± 0.15	X° X' ± 2°	DRAWN		旷淇	2017.06.16	TITLE: 2.50mmPITCH 90° WAFER DIP TYPE