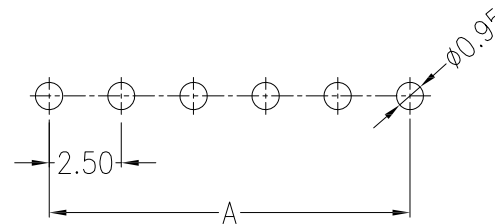
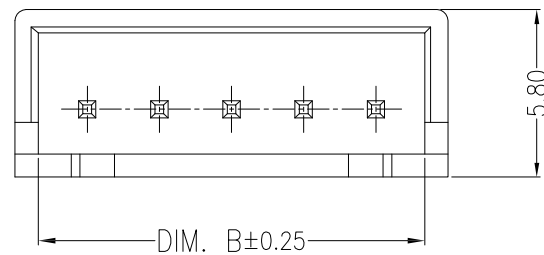
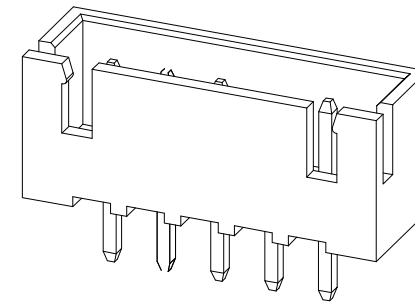
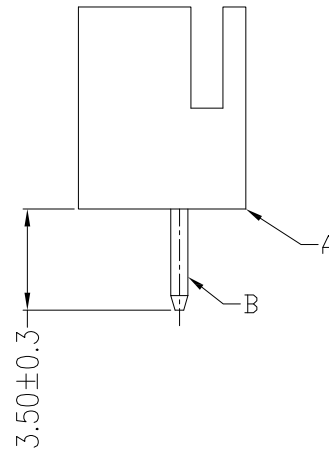
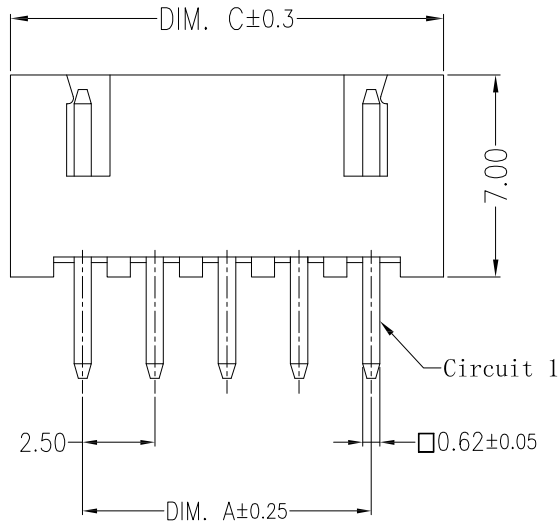


环保物料

主要技术参数 Main Specifications

线 数 (Poles): 02 to 18
 接触电阻 (Contact resistance): $\leq 20m\Omega$
 绝缘电阻 (Insulation resistance): $\geq 1000M\Omega$
 额定电压 (Rated voltage): 250V AC DC
 额定电流 (Rated current): 3.0A AC DC
 耐 电 压 (Withstand Voltage): 1000V AC/minute
 温度范围 (Temperature Range): $-25^{\circ}C \sim +85^{\circ}C$



SUGGESTED PCB LAYOUT
(COMPONENT SIDE)

Circuits	Dimensions (mm)		
	A	B	C
02	2.50	6.00	7.50
03	5.00	8.50	10.00
04	7.50	11.00	12.50
05	10.00	13.50	15.00
06	12.50	16.00	17.50
07	15.00	18.50	20.00
08	17.50	21.00	22.50
09	20.00	23.50	25.00
10	22.50	26.00	27.50
11	25.00	28.50	30.00
12	27.50	31.00	32.50
13	30.00	33.50	35.00
14	32.50	36.00	37.50
15	35.00	38.50	40.00
16	37.50	41.00	42.50
17	40.00	43.50	45.00
18	42.50	46.00	47.50

B	CONTACT	2~18 PCS	Brass	Sn-plated
A	PEDESTAL	1 PCS	PA66	COLOR:BEIGE
ITEM	COMPONENT	Q'TY	MATERIAL	FINISH

REV.	REVISION RECORD	DATE	UNIT: MM	GENERAL TOLERANCES		SCALE: 1:1	NAME	DATE
				LINEAR	ANGLES			
				0.0 ± 0.35	X° REF ± 6°	APPROVED	黎腾	2017.06.16
A0	新图面发行	2017.06.16	UNIT: MM	0.00 ± 0.25	X° ± 3°	DESIGNER	肖坤权	2017.06.16
	REVISION RECORD	DATE	SIZE: A4	0.000 ± 0.15	X° X' ± 2°	DRAWN	旷淇	2017.06.16



PART. NO:	22501A	
DWG. NO:		
REV:	A0	SHEET: 1/1