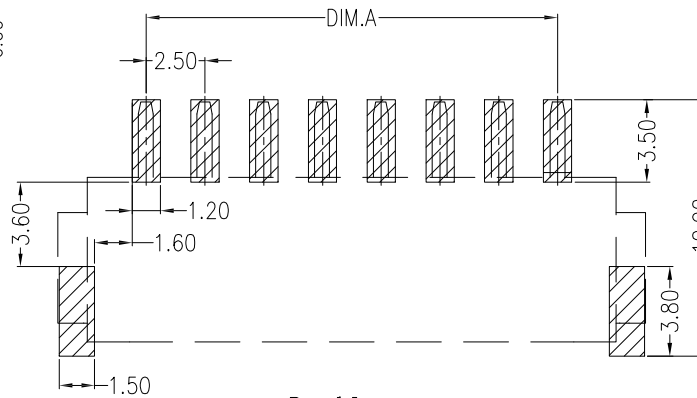
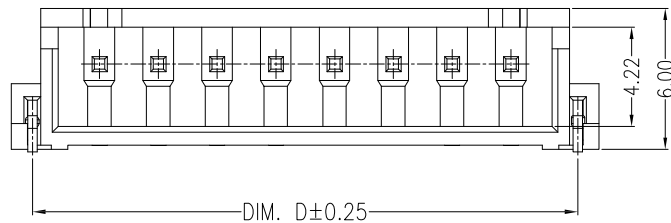
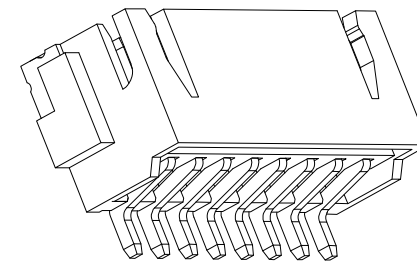
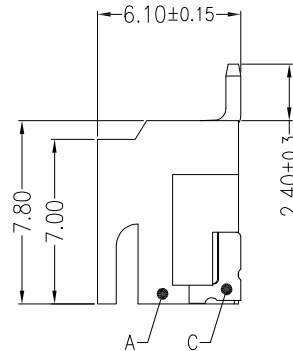
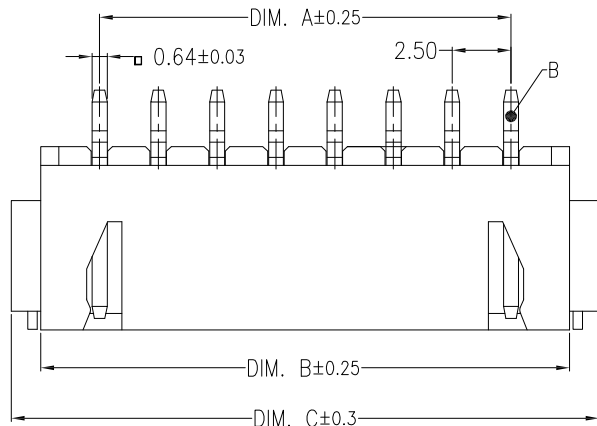


环保物料

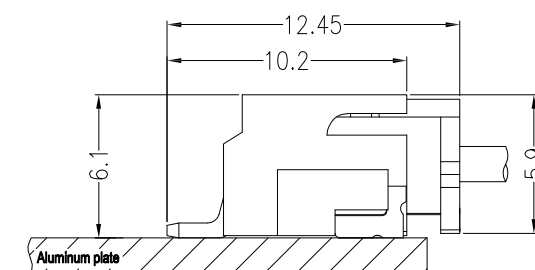
主要技术参数 Main Specifications

线数 (Poles): 02 to 16
 接触电阻 (Contact resistance): $\leq 20m\Omega$
 绝缘电阻 (Insulation resistance): $\geq 1000M\Omega$
 额定电压 (Rated voltage): 250V AC DC
 额定电流 (Rated current): 3.0A AC DC
 耐电压 (Withstand Voltage): 1000V AC/minute
 温度范围 (Temperature Range): $-25^{\circ}C \sim +105^{\circ}C$



Circuit	Dimensions (mm)			
	DIM. A	DIM. B	DIM. C	DIM. D
02	2.50	7.50	10.00	8.20
03	5.00	10.00	12.50	10.70
04	7.50	12.50	15.00	13.20
05	10.00	15.00	17.50	15.70
06	12.50	17.50	20.00	18.20
07	15.00	20.00	22.50	20.70
08	17.50	22.50	25.00	23.20
09	20.00	25.00	27.50	25.70
10	22.50	27.50	30.00	28.20
11	25.00	30.00	32.50	30.70
12	27.50	32.50	35.00	33.20
13	30.00	35.00	37.50	35.70
14	32.50	37.50	40.00	38.20
15	35.00	40.00	42.50	40.70
16	37.50	42.50	45.00	43.20

Board Layout
 General Tolerance: ± 0.05



Assembly Layout

ITEM	COMPONENT	Q'TY	MATERIAL	FINISH
C	SOLDER TAB	2 PCS	Brass	Sn-plated
B	CONTACT	2~16 PCS	Brass	Sn-plated
A	PEDESTAL	1 PCS	LCP	UL 94V-0, COLOR:BEIGE

REV.	REVISION RECORD	DATE	UNIT: MM	GENERAL TOLERANCES		SCALE: 1:1	NAME	DATE	康导新能源 网址: www.dgponns.com 电话: 0769-85337633 邮箱: 2850176988@qq.com 传真: 0769-85392827	PART. NO: 22501AWR	
				SIZE: A4	0.000 ± 0.15					X° X' ± 2°	DWG. NO:
A0	新图面发行	2017.06.16	MM	0.00 ± 0.25	X° ± 3°	APPROVED	黎腾	2017.06.16	康导新能源 网址: www.dgponns.com 电话: 0769-85337633 邮箱: 2850176988@qq.com 传真: 0769-85392827	DWG. NO:	
						DESIGNER	肖坤权	2017.06.16		TITLE: 2.50mmPITCH 90° WAFER SMT TYPE	
						DRAWN	旷淇	2017.06.16			