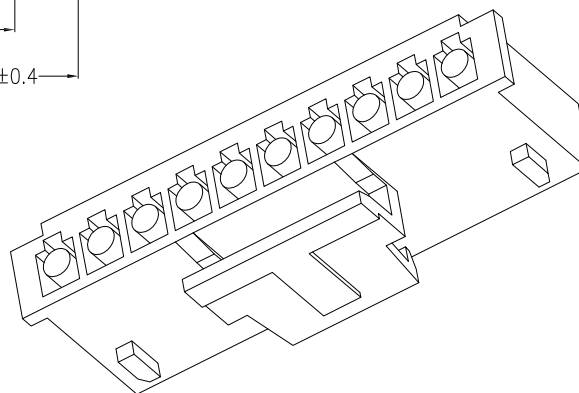
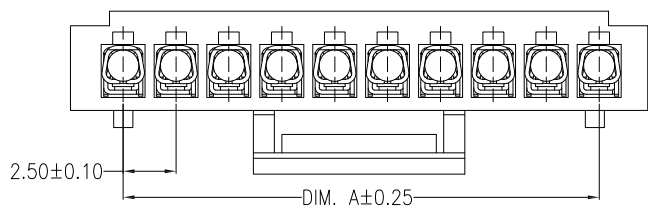
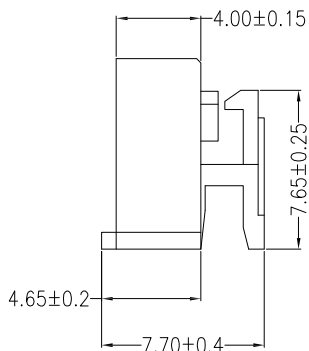
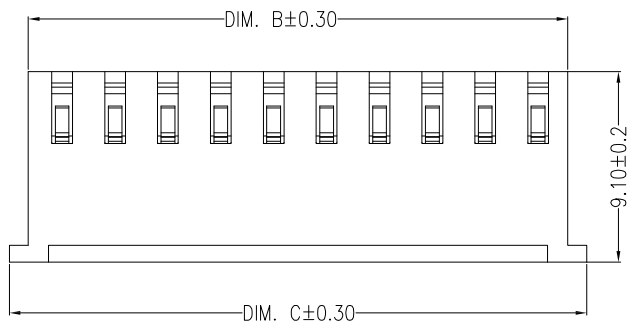


环保物料

**主要技术参数 Main Specifications**

线 数 (Poles): 02 to 12  
 接触电阻 (Contact resistance):  $\leq 20m\Omega$   
 绝缘电阻 (Insulation resistance):  $\geq 1000M\Omega$   
 额定电压 (Rated voltage): 250V AC DC  
 额定电流 (Rated current): 3.0A AC DC  
 耐 电 压 (Withstand Voltage): 1000V AC/minute  
 温度范围 (Temperature Range):  $-25^{\circ}C \sim +85^{\circ}C$



Circuits	Dimensions (mm)		
	DIM. A	DIM. B	DIM. C
02	2.50	5.75	7.25
03	5.00	8.25	9.75
04	7.50	10.75	12.25
05	10.00	13.25	14.75
06	12.50	15.75	17.25
07	15.00	18.25	19.75
08	17.50	20.75	22.25
09	20.00	23.25	24.75
10	22.50	25.75	27.25
11	25.00	28.25	29.75
12	27.50	30.75	32.25

A	HOUSING	1 PCS	PA66	COLOR: WHITE
ITFM	COMPONENT	Q'TY	MATERIAL	FINISH

				GENERAL TOLERANCES		SCALE: 1:1	NAME	DATE	<b>康 导 新 能 源</b> 网址: www.dgonne.com 电话: 0769-85337633 邮箱: 2850175988@qq.com 传真: 0769-85392827	PART. NO: 22502Y	
				LINEAR	ANGLES					APPROVED	黎腾
		0.00 ± 0.35	X° REF ± 6°	DESIGNER	肖坤权	2017.06.16	REV: A0	SHEET: 1/1			
A0	新图面发行	2017.06.16	UNIT: MM	0.00 ± 0.25	X° ± 3°	DRAWN				旷淇	2017.06.16
REV.	REVISION RECORD	DATE	SIZE: A4	0.000 ± 0.15	X° X' ± 2°						