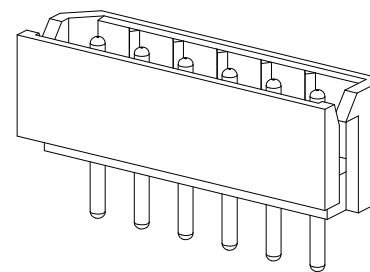
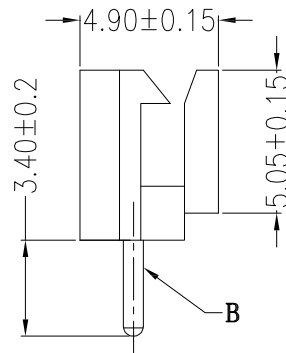
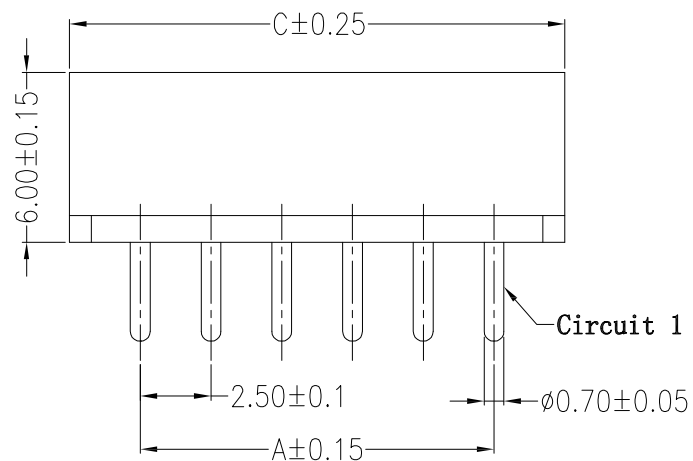


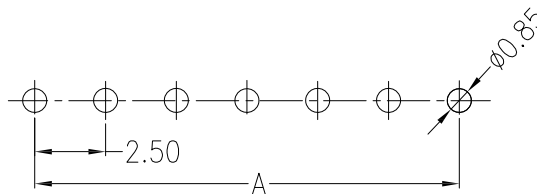
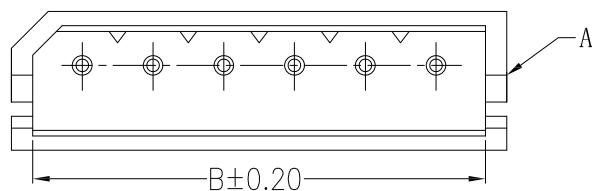
环保物料

主要技术参数 Main Specifications

线数 (Poles): 02~16  
 接触电阻 (Contact resistance):  $\leq 20m\Omega$   
 绝缘电阻 (Insulation resistance):  $\geq 1000M\Omega$   
 额定电压 (Rated voltage): 250V AC DC  
 额定电流 (Rated current): 3.0A AC DC  
 耐电压 (Withstand Voltage): 1000V AC/minute  
 温度范围 (Temperature Range):  $-25^{\circ}C \sim +85^{\circ}C$



Circuits	Dimensions (mm)		
	A	B	C
02	2.50	6.25	7.50
03	5.00	8.75	10.00
04	7.50	11.25	12.50
05	10.00	13.75	15.00
06	12.50	16.25	17.50
07	15.00	18.75	20.00
08	17.50	21.25	22.50
09	20.00	23.75	25.00
10	22.50	26.25	27.50
11	25.00	28.75	30.00
12	27.50	31.25	32.50
13	30.00	33.75	35.00
14	32.50	36.25	37.50
15	35.00	38.75	40.00
16	37.50	40.25	42.50



SUGGESTED PCB LAYOUT  
(COMPONENT SIDE)

B	CONTACT	2~15 PCS	Brass	Tin-plated
A	PEDESTAL	1 PCS	PA66	COLOR:BEIGE
ITEM	COMPONENT	Q'TY	MATERIAL	FINISH

GENERAL TOLERANCES		SCALE: 1:1	NAME	DATE
LINEAR	ANGLES	APPROVED	黎腾	2017.06.16
0.0±0.35	X° REF±6°	DESIGNER	肖坤权	2017.06.16
A0	新图面发行	2017.06.16	UNIT: MM	0.00±0.25
REV.	REVISION RECORD	DATE	SIZE: A4	0.000±0.15
				X° X'±2°
				DRAWN
				旷淇
				2017.06.16

**康导新能源**  
 网址: www.dgonns.com 电话: 0769-85337633  
 邮箱: 2850175886@qq.com 传真: 0769-85392827

PART. NO:	22505A	
DWG. NO:		
REV:	A0	SHEET: 1/1