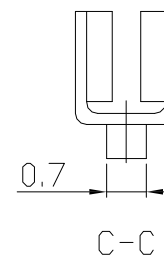
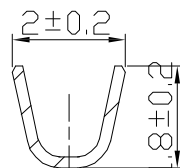
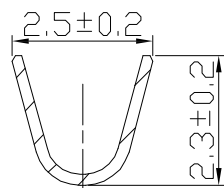
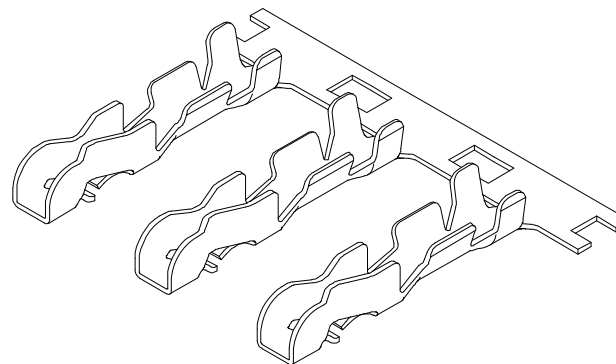
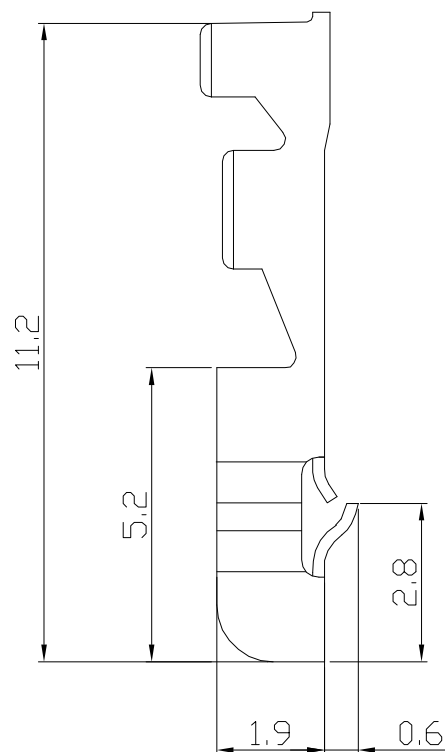
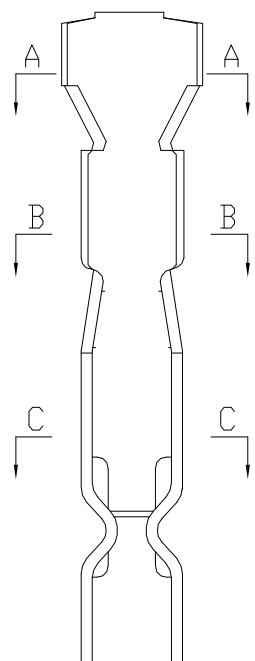


环保物料

主要技术参数 Main Specifications

- 接触电阻 (Contact resistance): $\leq 20m\Omega$
- 绝缘电阻 (Insulation resistance): $\geq 1000M\Omega$
- 额定电压 (Rated voltage): 250V AC DC
- 额定电流 (Rated current): 3.0A AC DC
- 耐电压 (Withstand Voltage): 1000V AC/minute
- 温度范围 (Temperature Range): $-25^{\circ}C \sim +85^{\circ}C$



Wire Range	Insulation O.D.	Material	Finish	Qty/Reel
AWG #20~#26	1.80mm (max)	Phosphor bronze	Tin-plated	9000PCS Qty/reel

GENERAL TOLERANCES		SCALE: 1:1		NAME	DATE	康导新能源 网址: www.dgonns.com 电话: 0769-85337633 邮箱: 2850175986@qq.com 传真: 0769-85392827	PART. NO: 22510T	
LINEAR	ANGLES	APPROVED	DESIGNER	DRAWN	DWG. NO:			
0.0±0.35	X° REF±6°	黎腾	肖坤权	旷淇	TITLE: 2.50mmPITCH TERMINAL		REV: A0	SHEET: 1/1
0.00±0.25	X° ±3°							
REV.	REVISION RECORD	DATE	UNIT: MM	SIZE: A4	0.000±0.15	X° X'±2°		