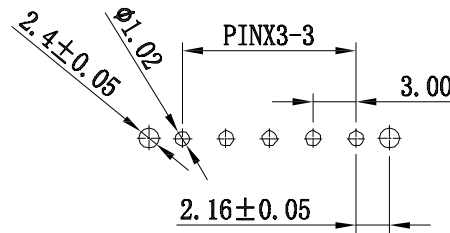
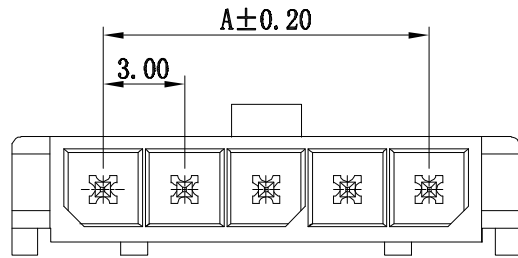


环保物料



P.C.B LAYOUT

Specifications:

Contact resistance: $\leq 20m\Omega$

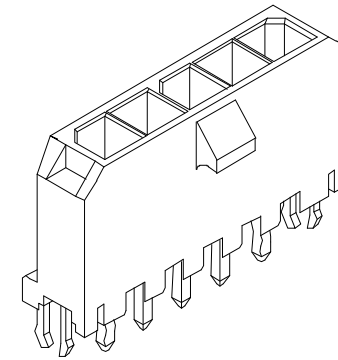
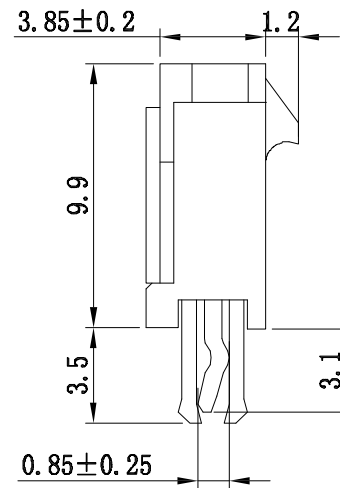
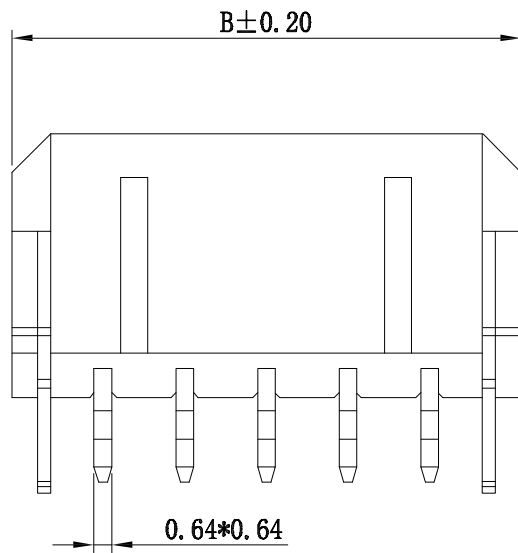
Insulation resistance: $\geq 1000M\Omega$

Rated voltage: 250V AC DC

Rated current: 5.0A AC DC

Withstand Voltage: 1000V AC/minute

Temperature Range: $-25^{\circ}C \sim +85^{\circ}C$



Poles	Dimensions mm	
	A	B
2	3.00	9.65
3	6.00	12.65
4	9.00	15.65
5	12.00	18.65
6	15.00	21.65
7	18.00	24.65
8	21.00	27.65
9	24.00	30.65
10	27.00	33.65
11	30.00	36.65
12	33.00	39.65

3	Press-fit	Brass Tin	2		
2	Contact	Brass Tin	N		
1	Housing	PAPT (UL94V-0)	1	Black	
序号	图号	名称	材料	数量	附注

		GENERAL TOLERANCES		SCALE: 1:1	NAME	DATE	康导新能源 网址: www.dgonne.com 电话: 0769-85337633 邮箱: 2850175988@qq.com 传真: 0769-85392827	PART. NO: 23001AWVC	
		LINEAR	ANGLES	APPROVED	黎腾	2017.06.16		DWG. NO:	
		0.0±0.35	X° REF±6°	DESIGNER	肖坤权	2017.06.16		REV: A0 SHEET: 1/1	
A0	新图面发行	2017.06.16	UNIT: MM	0.00±0.25	X° ±3°	DRAWN		旷淇	2017.06.16
REV.	REVISION RECORD	DATE	SIZE: A4	0.000±0.15	X° X'±2°				