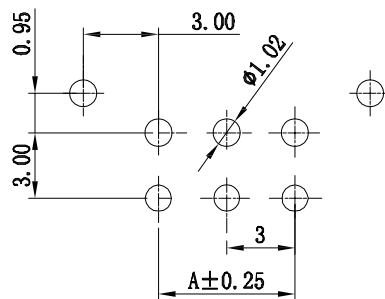
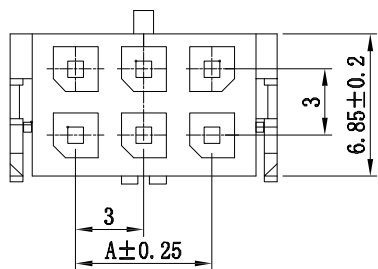
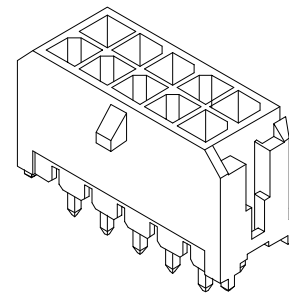
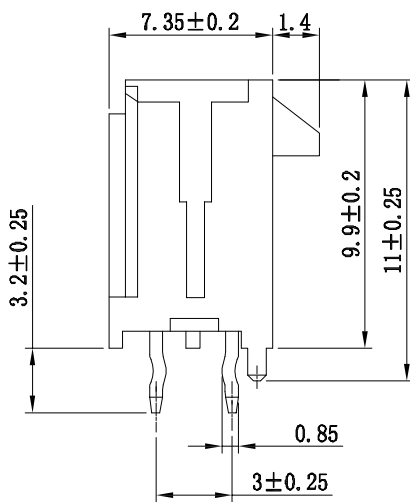
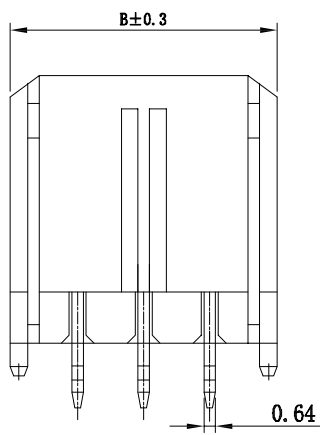


环保物料



P. C. B LAYOUT



Specifications:
 Contact resistance: $\leq 20m\Omega$
 Insulation resistance: $\geq 1000M\Omega$
 Rated voltage: 250V AC DC
 Rated current: 5.0A AC DC
 Withstand Voltage: 1000V AC/minute
 Temperature Range: $-25^{\circ}C \sim +85^{\circ}C$

Poles	Dimensions mm	
	A	B
2	--	6.65
4	3.00	9.65
6	6.00	12.65
8	9.00	15.65
10	12.00	18.65
12	15.00	21.65
14	18.00	24.65
16	21.00	27.65
18	24.00	30.65
20	27.00	33.65
22	30.00	36.65
24	33.00	39.65

2	Contact	Brass Tin	N		
1	Housing	PA46 (UL94V-0)	1	Black	
序号	图号	名称	材料	数量	附注

GENERAL TOLERANCES		SCALE:	NAME	DATE
		1:1		
		APPROVED	黎腾	2017.06.16
		DESIGNER	肖坤权	2017.06.16
		DRAWN	旷淇	2017.06.16



PART. NO:	23002A2	
DWG. NO:		
REV:	A0	SHEET: 1/1