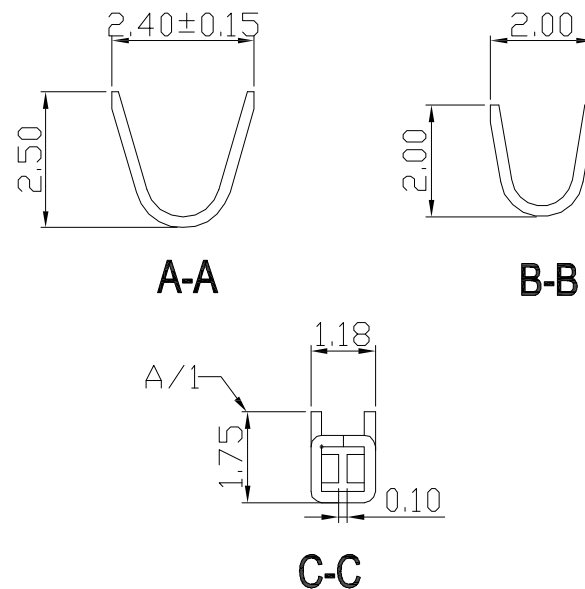
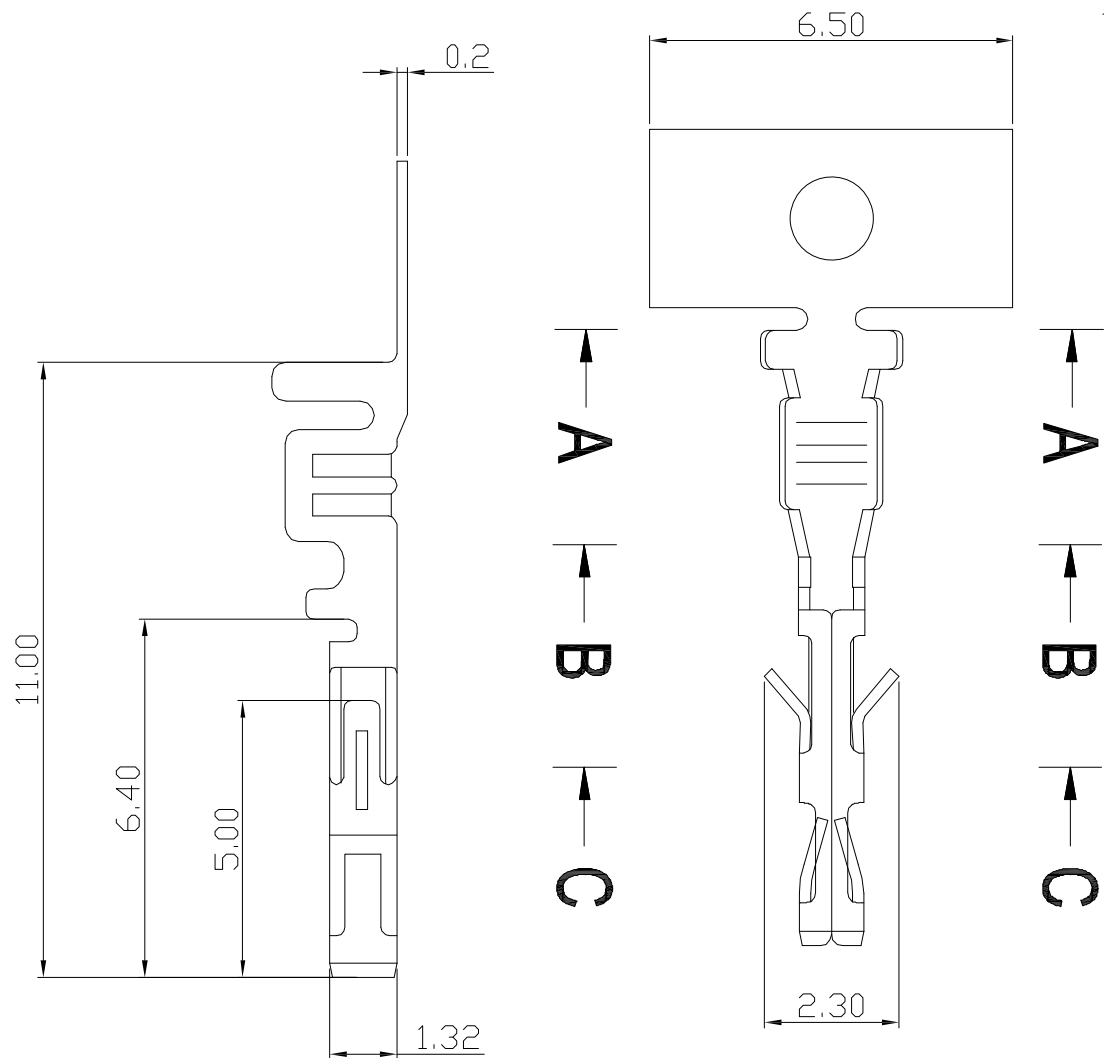


环保物料

主要技术参数 Main Specifications

接触电阻 (Contact resistance): $\leq 20m\Omega$
 绝缘电阻 (Insulation resistance): $\geq 1000M\Omega$
 额定电压 (Rated voltage): 250V AC DC
 额定电流 (Rated current): 5.0A AC DC
 耐电压 (Withstand Voltage): 1000V AC/minute
 温度范围 (Temperature Range): $-25^{\circ}C \sim +85^{\circ}C$



Wire Range	Insulation O. D.	Material	Finish	Qty/Reel
AWG #20~#30		Phosphor bronze	Tin-plated	

GENERAL TOLERANCES		SCALE: 1:1	NAME	DATE
LINEAR	ANGLES	APPROVED	黎腾	2017.06.16
0.0 ± 0.35	X° REF ± 6°	DESIGNER	肖坤权	2017.06.16
0.00 ± 0.25	X° ± 3°	DRAWN	旷淇	2017.06.16
REV.	REVISION RECORD	DATE	UNIT: MM	SIZE: A4
A0	新图面发行	2017.06.16		

康导新能源 网址: www.dgonne.com 电话: 0769-85337833 邮箱: 2850175988@qq.com 传真: 0769-85392827	PART. NO:	23001T2	
	DWG. NO:		
	REV:	A0	SHEET: