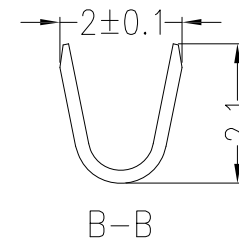
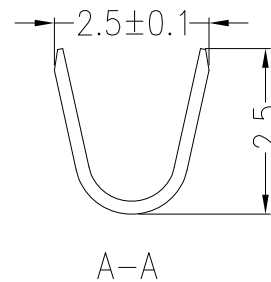
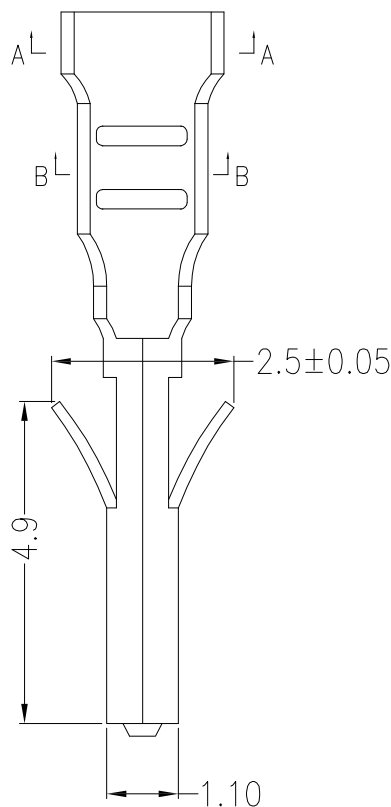
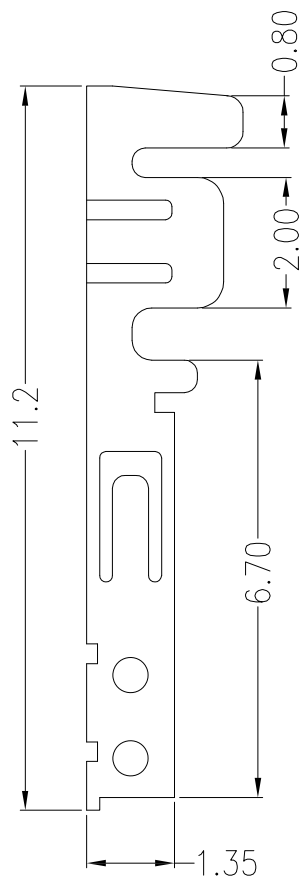


环保物料



**主要技术参数 Main Specifications**

- 接触电阻 (Contact resistance):  $\leq 20m\Omega$
- 绝缘电阻 (Insulation resistance):  $\geq 1000M\Omega$
- 额定电压 (Rated voltage): 250V AC DC
- 额定电流 (Rated current): 5.0A AC DC
- 耐电压 (Withstand Voltage): 1000V AC/minute
- 温度范围 (Temperature Range):  $-25^{\circ}C \sim +85^{\circ}C$

Wire Range	Insulation O. D.	Material	Finish	Qty/Reel
AWG #22~#28	1.0~1.90mm	Phosphor bronze	Tin-plated	

GENERAL TOLERANCES		SCALE: 1:1	NAME	DATE
LINEAR	ANGLES	APPROVED	黎腾	2017.06.16
0.0±0.35	X° REF±6°	DESIGNER	肖坤权	2017.06.16
0.00±0.25	X° ±3°	DRAWN	旷淇	2017.06.16
REV.	REVISION RECORD	DATE	SIZE: A4	0.000±0.15
A0	新图面发行	2017.06.16	UNIT: MM	X° X'±2°



PART. NO:	
23001T	
DWG. NO:	
REV: A0	SHEET: 1/1

TITLE: 3.00mm PITCH TERMINAL