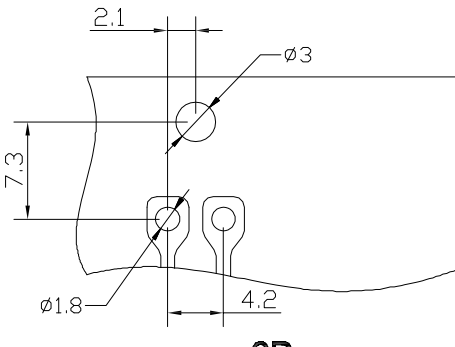
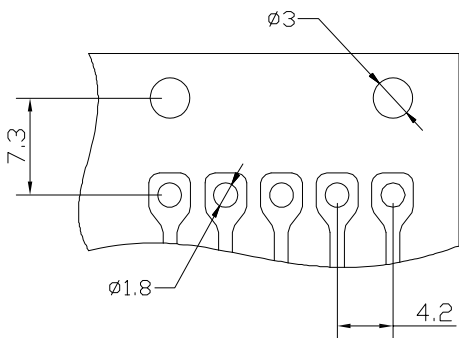
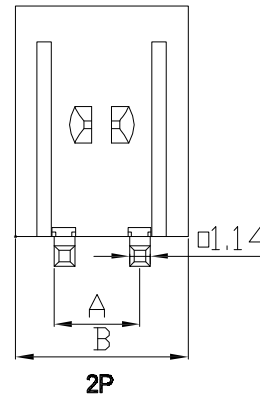
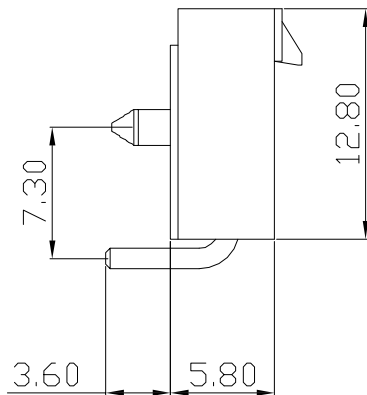
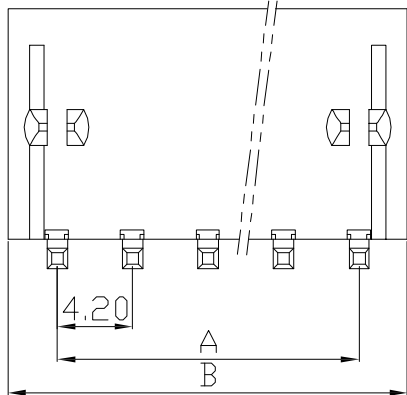


环保物料

主要技术参数 Main Specifications

线数 (Poles): 02 to 06
 接触电阻 (Contact resistance): $\leq 15m\Omega$
 绝缘电阻 (Insulation resistance): $\geq 1000M\Omega$
 额定电压 (Rated voltage): 300V AC DC
 额定电流 (Rated current): 9.0A AC DC
 耐电压 (Withstand Voltage): 1500V AC/minute
 温度范围 (Temperature Range): $-25^{\circ}C \sim +85^{\circ}C$



PCB Layout

Poles	Dimensions mm	
	A	B
2	4.20	9.60
3	8.40	13.80
4	12.60	18.00
5	16.80	22.20
6	21.00	26.40

2	Wafer 针	Brass Tin 黄铜镀锡	N		
1	Housing 基座	PA66 (UL94V-0/V-2)	1	White (白色)	
序号	图号	名称	材料	数量	附注

GENERAL TOLERANCES		SCALE:	NAME	DATE
LINEAR	ANGLES	1:1		
0.0 ± 0.35	X° REF ± 6°	APPROVED	黎腾	2017.06.16
0.00 ± 0.25	X° ± 3°	DESIGNER	肖坤权	2017.06.16
0.000 ± 0.15	X° X' ± 2°	DRAWN	旷淇	2017.06.16

康导新能源
 网址: www.dgconne.com 电话: 0769-85337633
 邮箱: 2850175988@qq.com 传真: 0769-85392827

PART. NO:	24202AWL	
DWG. NO:		
REV:	A0	SHEET: 1/1