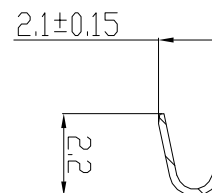
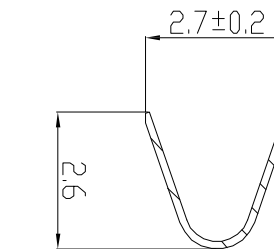
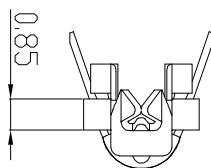
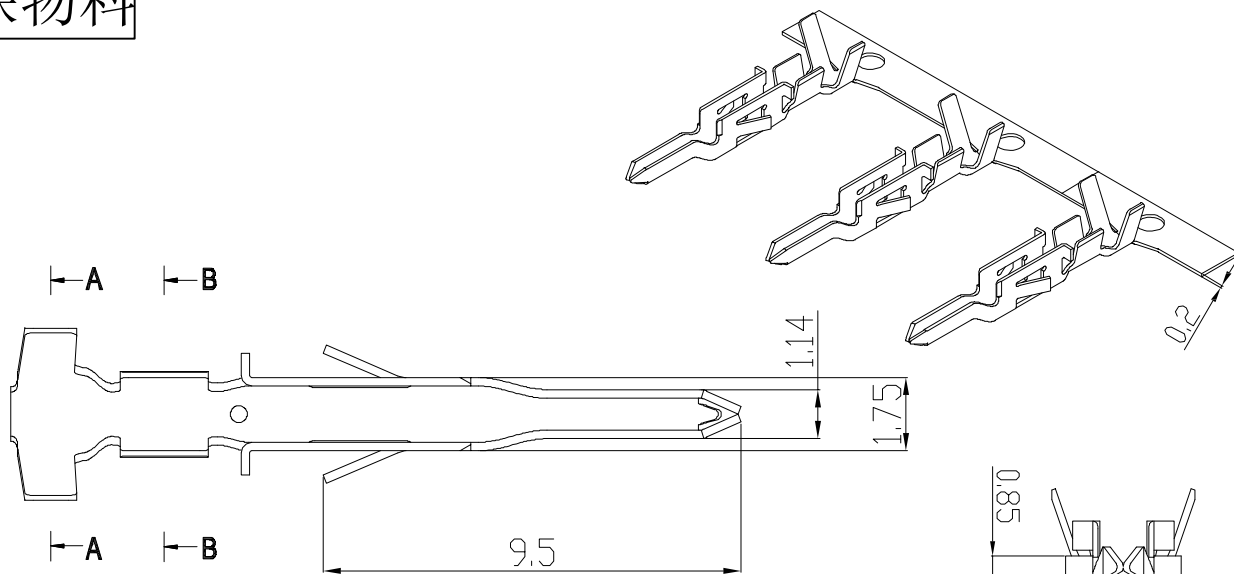


环保物料

主要技术参数
Main Specifications

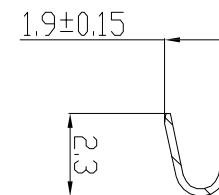
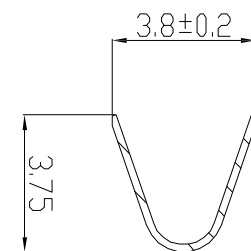
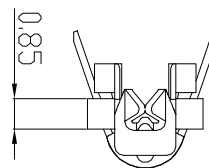
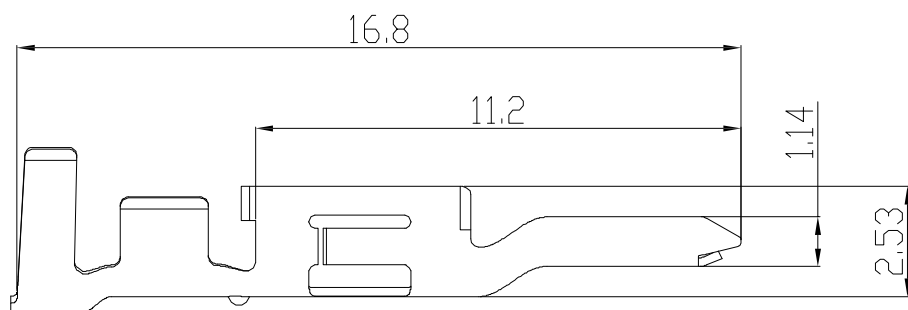
线数 (poles): 2 to 6/2 to 24 P
 额定电流 (Current rating): 9.0A AC, DC
 额定电压 (Voltage rating): 300V AC, DC
 温度范围 (Temperature range): -25°C to +85°C
 接触电阻 (Contact resistance): $\leq 15m\Omega$
 绝缘电阻 (Insulation resistance): $\geq 1000M\Omega$
 耐电压 (Withstand voltage): 1500V AC/minute
 适用线规 (Applicable wire): AWG #20 to #16
 适用基板厚度 Applicable PC board thickness: 1.6 to 2.0mm



低脚

A-A

B-B



高脚

A-A

B-B

Wire Range	Insulation O.D.	Material	Finish	Qty/Reel
AWG #16~#20		Phosphor bronze	Tin-plated	5000PCS/Reel

				GENERAL TOLERANCES		SCALE: 1:1	NAME	DATE	<p>康导新能源 网址: www.dgconne.com 电话: 0769-85337633 邮箱: 2850175988@qq.com 传真: 0769-85392827</p>	PART. NO: 24202T	
				LINEAR	ANGLES	APPROVED	黎腾	2017.06.16		DWG. NO:	
				0.0±0.35	X° REF±6°	DESIGNER	肖坤权	2017.06.16			
AO	新图面发行	2017.06.16	UNIT: MM	0.00±0.25	X° ±3°	DRAWN	旷淇	2017.06.16		TITLE: 4. 20mmPITCH TERMINAL	REV: A0
REV.	REVISION RECORD	DATE	SIZE: A4	0.000±0.15	X° X'±2°						