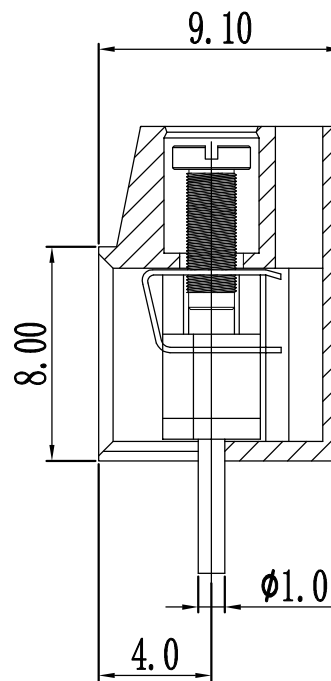
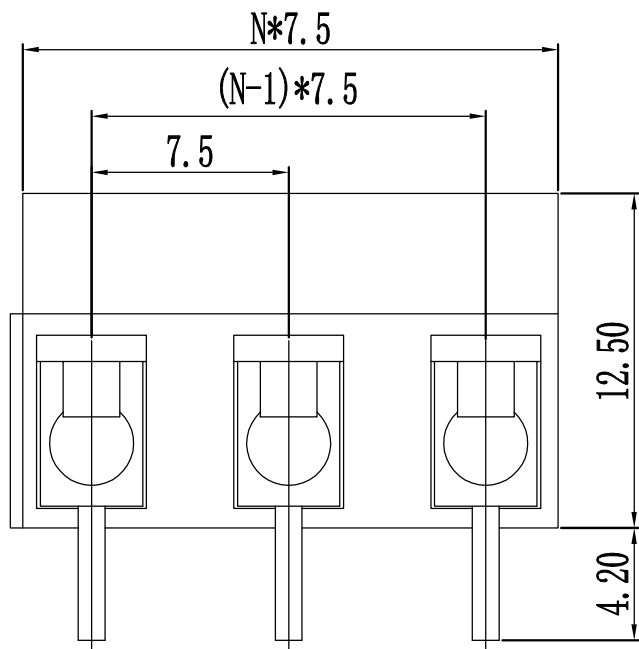
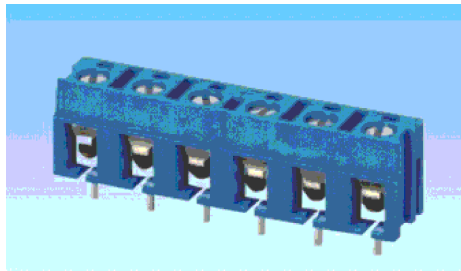


环保物料



N=Number of Contacts

产品型号	MODEL	KD705	
材质&电镀	MATERIAL&PLATING	M3.0, 钢, 镀锌 steel, Zinc Plated	
螺丝	Screw	磷青铜镀镍或不锈钢 Phosphor Bronze, Ni plated or stainless steel	
弹片	Reed	黄铜, 镀锡 Brass, Tin plated	
焊针	Pin header	PBT, UL94V-0	
塑件	Housing	UL	IEC
电气性能	ELECTRICAL	300V	450V
额定电压	Rated voltage	12A	24A
额定电流	Rated current	20mΩ	
接触电阻	Contact resistance	500MΩ/1000V	
绝缘电阻	Insulation resistance	AC2500V/1min	
耐电压	Withstanding voltage	22-14AWG 2.5mm ²	
使用线径	Wire range	Temp. range	
机械性能	MECHANICAL	-30℃~+120℃	
温度范围	Temp. range	Max. soldering	
瞬时温度	Max. soldering	+250℃, 5sec	
扭矩	Torque	0.5N.m 4.4lb.in	
剥线长度	Strip length	4.5-5mm	

		GENERAL TOLERANCES		SCALE:	NAME	DATE	康导新能源 康导: www.dgconne.com 电话: 0769-85337633 邮箱: 2850175888@qq.com 传真: 0769-85392827	PART. NO:	KDTB0005
		LINEAR	ANGLES	1:1	黎腾	2017.06.16		DWG. NO:	
AO	新图面发行	2017.06.16	UNIT: MM	0.00±0.25	X° ±3°	肖坤权	2017.06.16	REV:	A0
REV.	REVISION RECORD	DATE	SIZE: A4	0.000±0.15	X° X'±2°	旷淇	2017.06.16	SHEET:	1/1