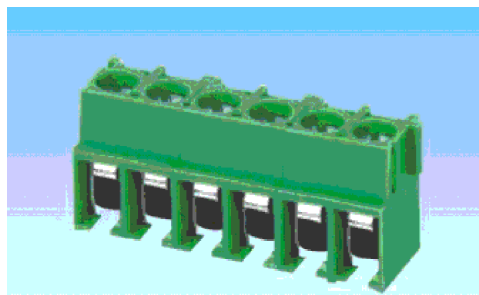
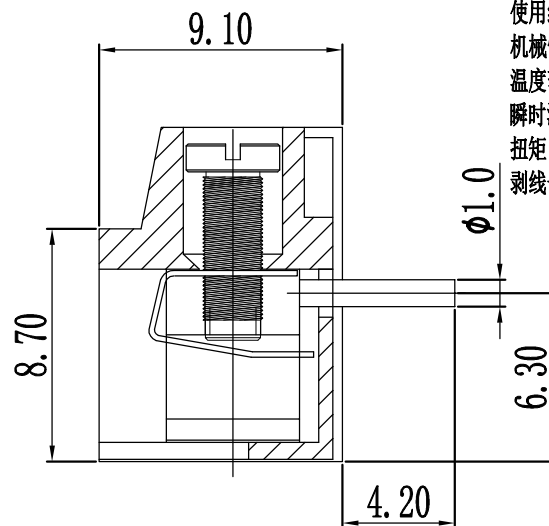
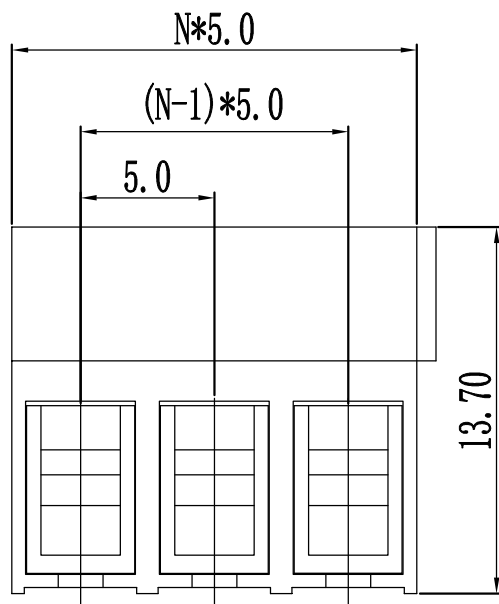


环保物料



产品型号	MODEL	KD306R	
材质&电镀	MATERIAL&PLATING		
螺丝	Screw	M3.0, 钢, 镀锌 steel, Zinc Plated	
弹片	Reed	磷青铜镀镍或不锈钢 Phosphor Bronze, Ni plated or stainless steel	
焊针	Pin header	黄铜, 镀锡 Brass, Tin plated	
塑件	Housing	PA66, UL94V-0	
电气性能	ELECTRICAL	UL	IEC
额定电压	Rated voltage	300V	250V
额定电流	Rated current	12A	25A
接触电阻	Contact resistance	20mΩ	
绝缘电阻	Insulation resistance	500MΩ/1000V	
耐电压	Withstanding voltage	AC2000V/1min	
使用线径	Wire range	22-14AWG 2.5mm ²	
机械性能	MECHANICAL		
温度范围	Temp. range	-40℃~+105℃	
瞬时温度	Max. soldering	+250℃, 5sec	
扭矩	Torque	0.5N.m 4.4Lb.in	
剥线长度	Strip length	4.5-5mm	



N=Number of Contacts

		GENERAL TOLERANCES		SCALE:	NAME	DATE	康导新能源 康导: www.dgconne.com 电话: 0769-85337633 邮编: 2850175888@qq.com 传真: 0769-85392827	PART. NO:	KDTB0011	
		LINEAR	ANGLES	1:1	黎腾	2017.06.16		DWG. NO:		
AO	新图面发行	2017.06.16	UNIT: MM	0.00±0.25	X° ±3°	肖坤权	2017.06.16	REV:	AO	SHEET: 1/1
REV.	REVISION RECORD	DATE	SIZE: A4	0.000±0.15	X° X'±2°	旷淇	2017.06.16	TITLE: Pitch 5.00mm Euro Terminal Blocks		