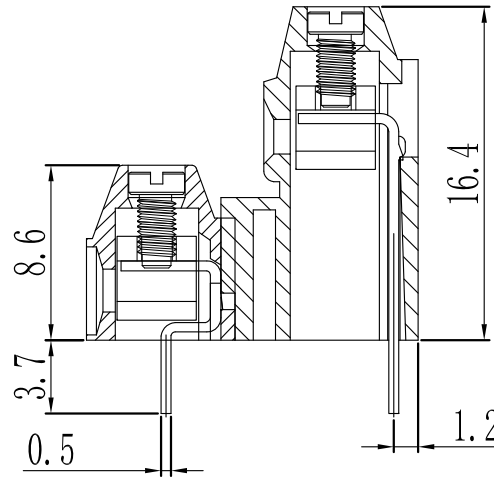
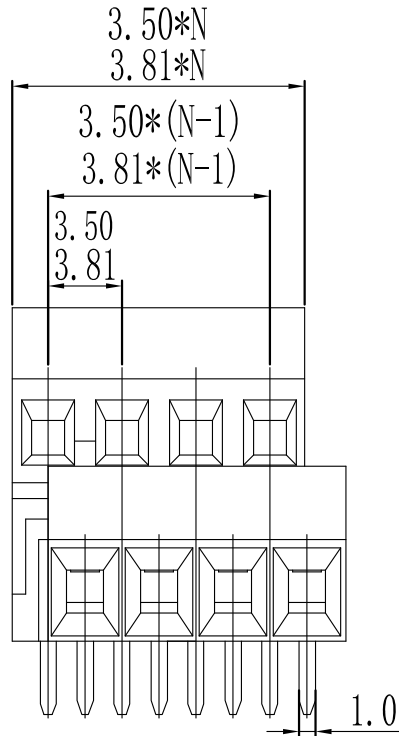
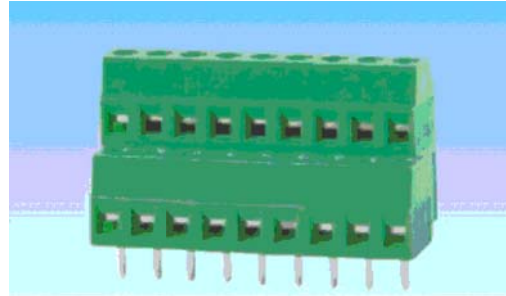


环保物料



N=Number of Contacts

|       |                       |                             |                    |
|-------|-----------------------|-----------------------------|--------------------|
| 产品型号  | MODEL                 | KD124DGA                    |                    |
| 材质&电镀 | MATERIAL&PLATING      |                             |                    |
| 螺丝    | Screw                 | M2.0, 钢, 镀锌                 | steel, Zinc Plated |
| 弹片    | Reed                  | 黄铜, 镀镍                      | Brass, Ni plated   |
| 焊针    | Pin header            | 黄铜, 镀锡                      | Brass, Tin plated  |
| 塑件    | Housing               | PA66, UL94V-0               |                    |
| 电气性能  | ELECTRICAL            | UL                          | IEC                |
| 额定电压  | Rated voltage         | 150V                        | 130V               |
| 额定电流  | Rated current         | 10A                         | 10A                |
| 接触电阻  | Contact resistance    | 20mΩ                        |                    |
| 绝缘电阻  | Insulation resistance | 500MΩ/1000V                 |                    |
| 耐电压   | Withstanding voltage  | AC1500V/1min                |                    |
| 使用线径  | Wire range            | 26-16AWG 1.5mm <sup>2</sup> |                    |
| 机械性能  | MECHANICAL            |                             |                    |
| 温度范围  | Temp. range           | -40℃~+105℃                  |                    |
| 瞬时温度  | Max. soldering        | +250℃, 5sec                 |                    |
| 扭矩    | Torque                | 0.2N.m                      | 1.7Lb.in           |
| 剥线长度  | Strip length          | 6-7mm                       |                    |

|      |                 |            |          |                    |          |               |      |            |   |                       |            |
|------|-----------------|------------|----------|--------------------|----------|---------------|------|------------|---|-----------------------|------------|
|      |                 |            |          | GENERAL TOLERANCES |          | SCALE:<br>1:1 | NAME | DATE       | <b>康导新能源</b><br>网址: www.dgonne.com 电话: 0789-8537833<br>邮箱: 285017888@qq.com 传真: 0789-85392827 | PART. NO:<br>KDTB0037 |            |
|      |                 |            |          | LINEAR             | ANGLES   | APPROVED      | 黎腾   | 2017.06.16 |   | DWG. NO:              |            |
| A0   | 新图面发行           | 2017.06.16 | UNIT: MM | 0.00±0.25          | X° ±3°   | DESIGNER      | 肖坤权  | 2017.06.16 | TITLE:<br>Pitch 3.50/3.81/3.96mm Euro Terminal Blocks   | REV: A0               | SHEET: 1/1 |
| REV. | REVISION RECORD | DATE       | SIZE: A4 | 0.000±0.15         | X° X'±2° | DRAWN         | 旷淇   | 2017.06.16 |   |                       |            |