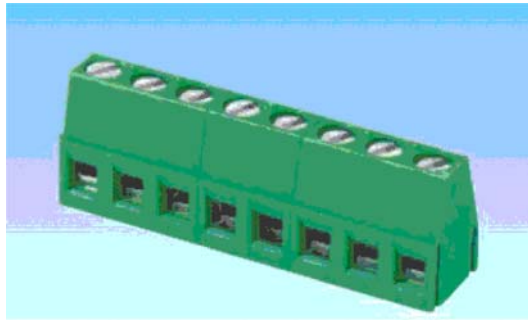
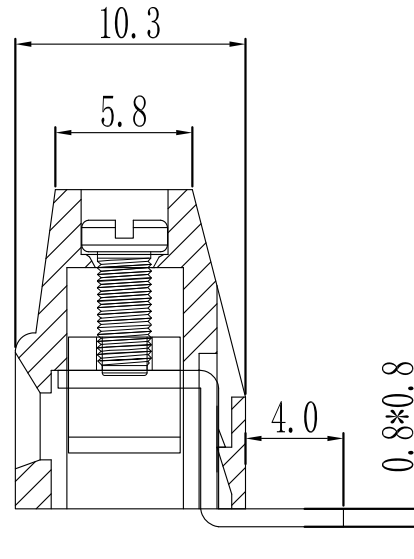
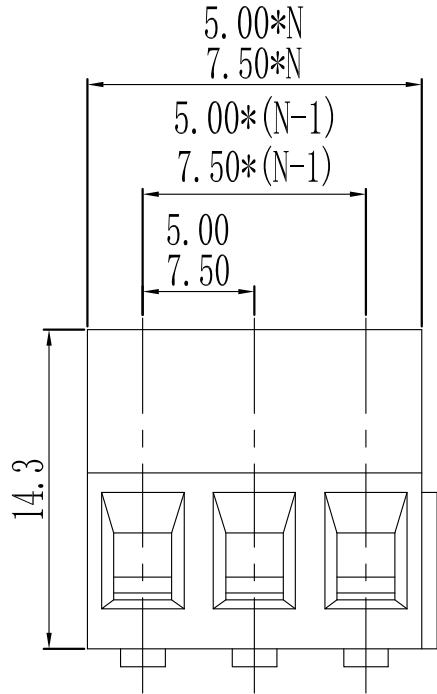


# 环保物料



产品型号	MODEL	KD128R (h:14.3)	
材质&电镀	MATERIAL&PLATING		
螺丝	Screw	M2.5, 钢, 镀锌 steel, Zinc Plated	
弹片	Reed	黄铜, 镀镍 Brass, Ni plated	
焊针	Pin header	黄铜, 镀锡 Brass, Tin plated	
塑件	Housing	PA66, UL94V-0	
电气性能	ELECTRICAL	UL	IEC
额定电压	Rated voltage	300V	250V
额定电流	Rated current	10A	18A
接触电阻	Contact resistance	20mΩ	
绝缘电阻	Insulation resistance	500MΩ/1000V	
耐电压	Withstanding voltage	AC2000V/1min	
使用线径	Wire range	24-12AWG 2.5mm <sup>2</sup>	
机械性能	MECHANICAL		
温度范围	Temp. range	-40℃~+105℃	
瞬时温度	Max. soldering	+250℃, 5sec	
扭矩	Torque	0.4N.m 3.5Lb.in	
剥线长度	Strip length	6-7mm	



N=Number of Contacts

				GENERAL TOLERANCES		SCALE: 1:1	NAME	DATE	康导新能源 网址: www.dgonne.com 电话: 0769-85337633 邮箱: 2850175886@qq.com 传真: 0769-85392827	PART. NO:
				LINEAR	ANGLES	APPROVED	黎腾	2017.06.16		KDTB0049
A0	新图面发行	2017.06.16	UNIT: MM	0.00±0.25	X° ±3°	DESIGNER	肖坤权	2017.06.16	TITLE: Pitch 5.00/7.50mm Euro Terminal Blocks	DWG. NO:
REV.	REVISION RECORD	DATE	SIZE: A4	0.000±0.15	X° X'±2°	DRAWN	旷淇	2017.06.16		REV: A0