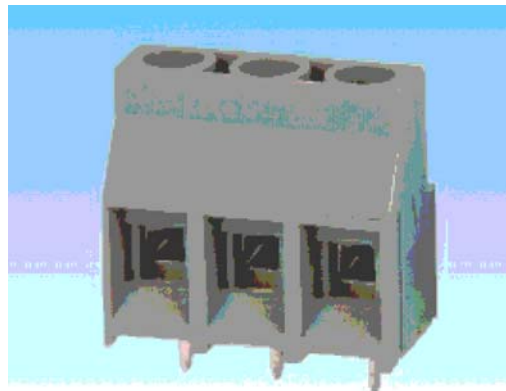
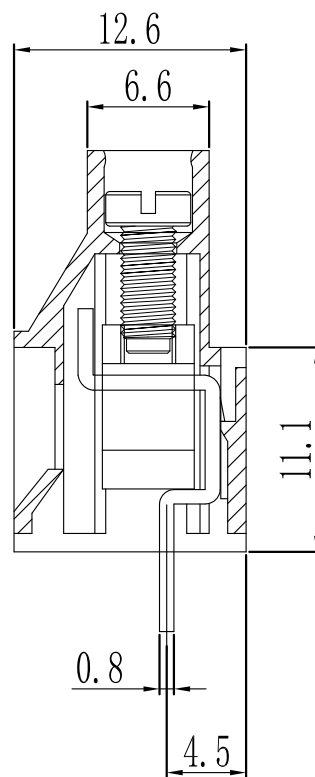
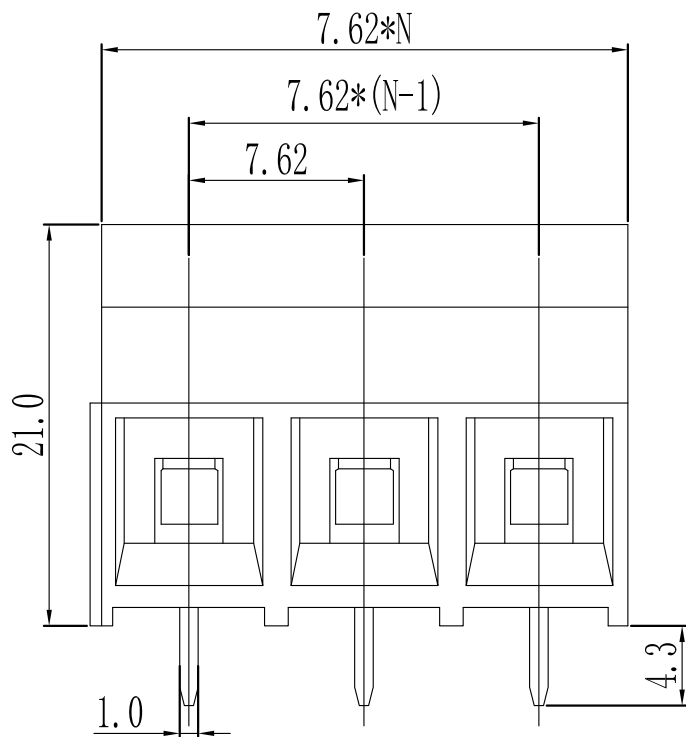


环保物料



产品型号	MODEL	KD950A
材质&电镀	MATERIAL&PLATING	
螺丝	Screw	M3.0, 钢, 镀锌 steel, Zinc Plated
弹片	Reed	黄铜, 镀镍 Brass, Ni plated
焊针	Pin header	黄铜, 镀锡 Brass, Tin plated
塑件	Housing	PA66, UL94V-0
电气性能	ELECTRICAL	UL IEC
额定电压	Rated voltage	300V 630V
额定电流	Rated current	30A 32A
接触电阻	Contact resistance	20mΩ
绝缘电阻	Insulation resistance	500MΩ/1000V
耐电压	Withstanding voltage	AC3000V/1min
使用线径	Wire range	26-10AWG 4.0mm ²
机械性能	MECHANICAL	
温度范围	Temp. range	-40℃~+105℃
瞬时温度	Max. soldering	+250℃, 5sec
扭矩	Torque	0.5N.m 4.4lb.in
剥线长度	Strip length	6-7mm



N=Number of Contacts

		GENERAL TOLERANCES		SCALE: 1:1	NAME	DATE	康导新能源 网址: www.dgonne.com 电话: 0769-85337633 邮箱: 2850176986@qq.com 传真: 0769-85392827	PART. NO:	KDTB0057	
		LINEAR	ANGLES	APPROVED	黎腾	2017.06.16		DWG. NO:		
A0	新图面发行	2017.06.16	UNIT: MM	DESIGNER	肖坤权	2017.06.16	TITLE:	Pitch 7.62mm Euro Terminal Blocks		
REV.	REVISION RECORD	DATE	SIZE: A4	DRAWN	旷淇	2017.06.16	REV:	A0	SHEET:	1/1