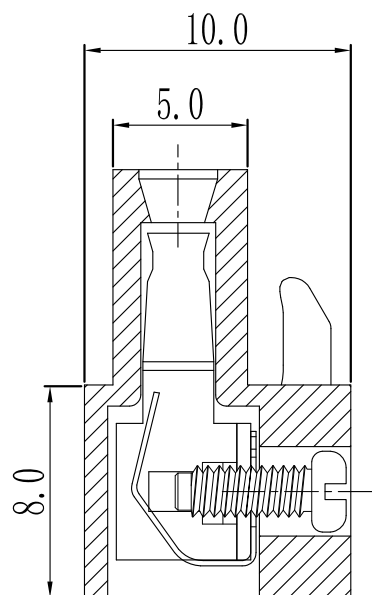
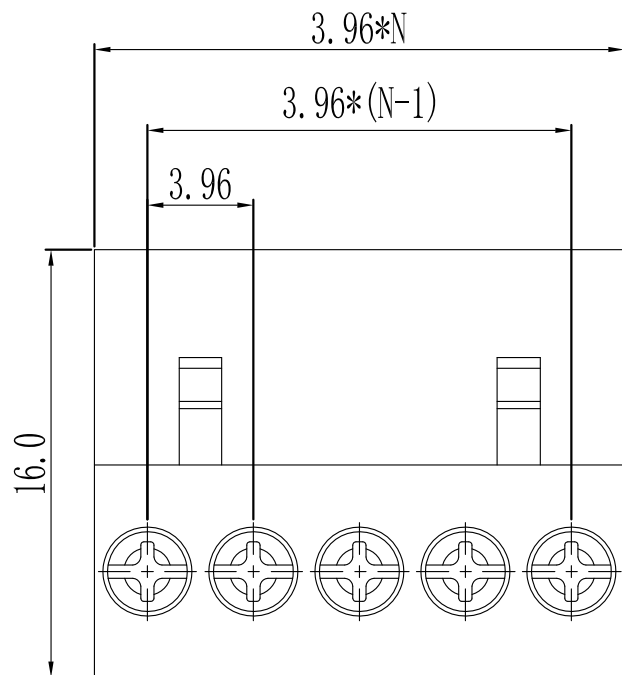
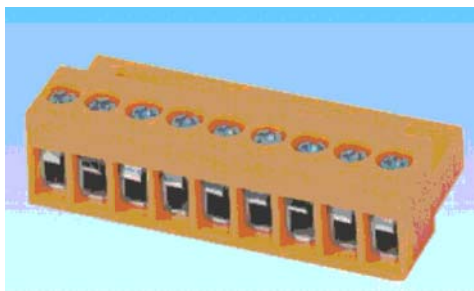


环保物料



产品型号	MODEL	KD396
材质&电镀	MATERIAL&PLATING	
螺丝	Screw	M2.0, 钢, 镀锌 Steel, Zinc Plated
弹片	Reed	磷青铜 Phosphor Bronze
焊针	Pin header	-
塑件	Housing	PA66, UL94V-0
电气性能	ELECTRICAL	UL IEC
额定电压	Rated voltage	300V 250V
额定电流	Rated current	16A 15A
接触电阻	Contact resistance	20mΩ
绝缘电阻	Insulation resistance	500MΩ/1000V
耐电压	Withstanding voltage	AC1500V/1min
使用线径	Wire range	28-14AWG 1.5mm ²
机械性能	MECHANICAL	
温度范围	Temp. range	-40°C~+105°C
瞬时温度	Max. soldering	+250°C, 5sec
扭矩	Torque	0.2N.m 1.7Lb.in
剥线长度	Strip length	7-8mm

N=Number of Contacts

				GENERAL TOLERANCES		SCALE: 1:1	NAME	DATE	康导新能源 网址: www.dgoonne.com 电话: 0769-85337633 邮箱: 2850176888@qq.com 传真: 0769-85392827	PART. NO: KDTB0118
				LINEAR	ANGLES	APPROVED	黎腾	2017.06.16		DWG. NO:
A0	新图面发行	2017.06.16	UNIT: MM	0.00±0.25	X° ±3°	DESIGNER	肖坤权	2017.06.16	TITLE: Pitch3.96mm Pluggable Terminal Blocks	
REV.	REVISION RECORD	DATE	SIZE: A4	0.000±0.15	X° X'±2°	DRAWN	旷淇	2017.06.16		