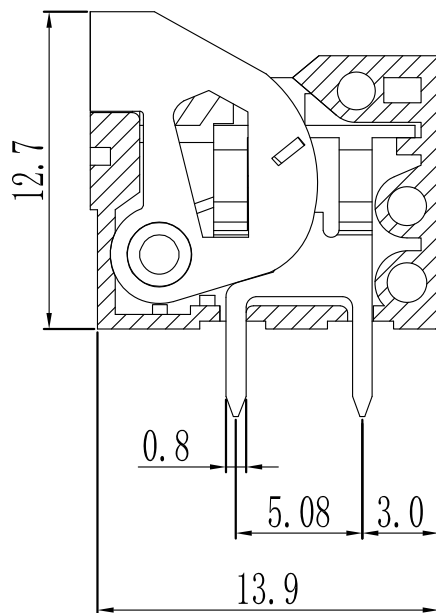
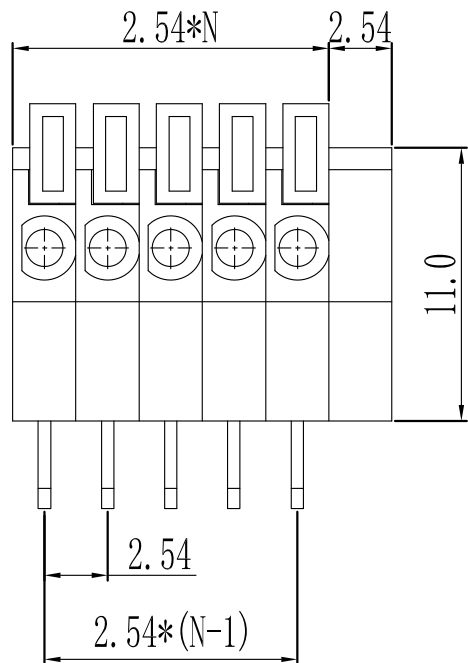
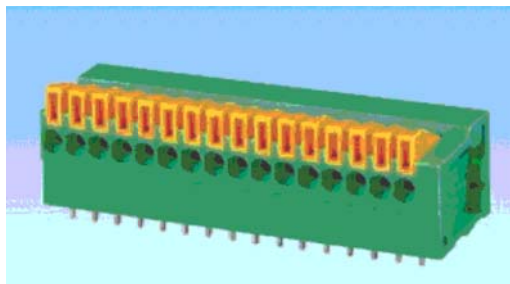


环保物料



产品型号	MODEL	KD141R
材质&电镀	MATERIAL&PLATING	-
螺丝	Screw	-
弹片	Reed	不锈钢 Stainless steel
焊针	Pin header	黄铜, 镀锡 Brass, Tin plated
塑件	Housing	PA66, UL94V-0
电气性能	ELECTRICAL	UL IEC
额定电压	Rated voltage	150V 130V
额定电流	Rated current	5A 6A
接触电阻	Contact resistance	20mΩ
绝缘电阻	Insulation resistance	500MΩ/1000V
耐电压	Withstanding voltage	AC1250V/1min
使用线径	Wire range	24-20AWG 1.0mm <sup>2</sup>
机械性能	MECHANICAL	
温度范围	Temp. range	-40°C~+105°C
瞬时温度	Max. soldering	+250°C, 5sec
扭矩	Torque	-
剥线长度	Strip length	11mm

N=Number of Contacts

				GENERAL TOLERANCES		SCALE:	NAME	DATE	康导新能源 网址: www.dgonne.com 电话: 0769-85337633 邮箱: 2850176886@qq.com 传真: 0769-85392827	PART. NO:
				LINEAR	ANGLES	1:1	黎腾	2017.06.16		KDTB0158
				0.0±0.35	X° REF±6°	APPROVED	肖坤权	2017.06.16	TITLE: Pitch2.54mm Screwless Terminal Blocks	DWG. NO:
A0	新图面发行	2017.06.16	UNIT: MM	0.00±0.25	X° ±3°	DESIGNER	旷淇	2017.06.16		REV: A0
REV.	REVISION RECORD	DATE	SIZE: A4	0.000±0.15	X° X'±2°	DRAWN				