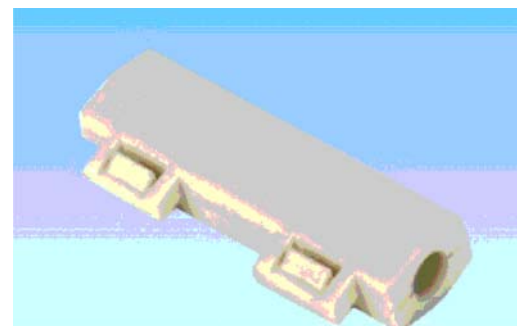
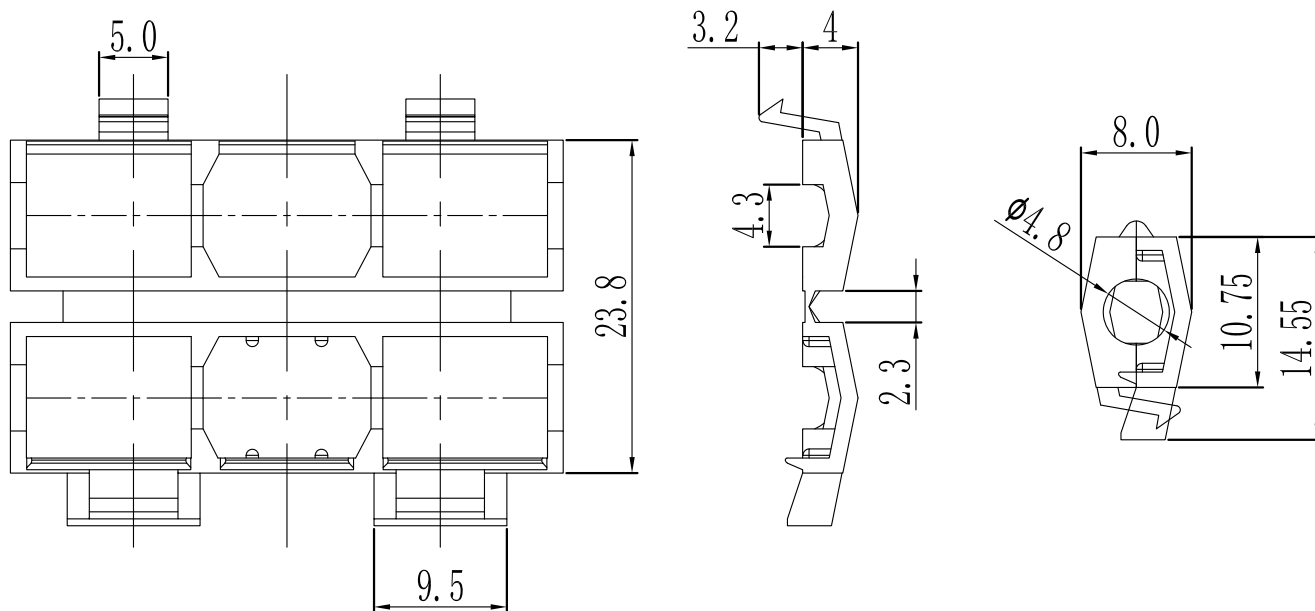


环保物料

产品型号	MODEL	KDC1
材质&电镀	MATERIAL&PLATING	
螺丝	Screw	-
弹片	Reed	-
焊针	Pin header	-
塑件	Housing	PP
电气性能	ELECTRICAL	
额定电压	Rated voltage	-
额定电流	Rated current	-
接触电阻	Contact resistance	-
绝缘电阻	Insulation resistance	-
耐电压	Withstanding voltage	-
使用线径	Wire range	-
机械性能	MECHANICAL	
温度范围	Temp. range	-40℃~+105℃
瞬时温度	Max. soldering	-
扭矩	Torque	-
剥线长度	Strip length	-



N=Number of Contacts

				GENERAL TOLERANCES		SCALE: 1:1	NAME	DATE	 康导新能源 网址: www.dgoonne.com 电话: 0769-85337633 邮箱: 2850176886@qq.com 传真: 0769-85392827	PART. NO: KDTB0180
				LINEAR	ANGLES	APPROVED	黎腾	2017.06.16		DWG. NO:
A0	新图面发行	2017.06.16	UNIT: MM	0.00±0.25	X° ±3°	DESIGNER	肖坤权	2017.06.16	TITLE: Screwless Terminal Blocks	
REV.	REVISION RECORD	DATE	SIZE: A4	0.000±0.15	X° X'±2°	DRAWN	旷淇	2017.06.16		