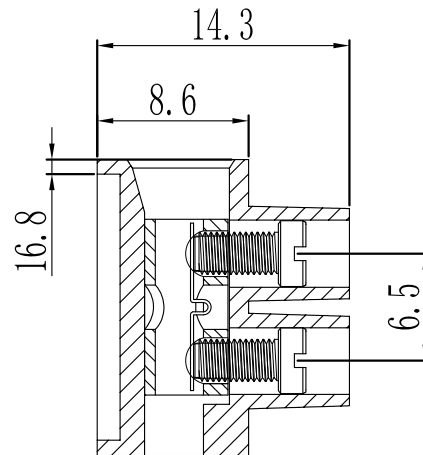
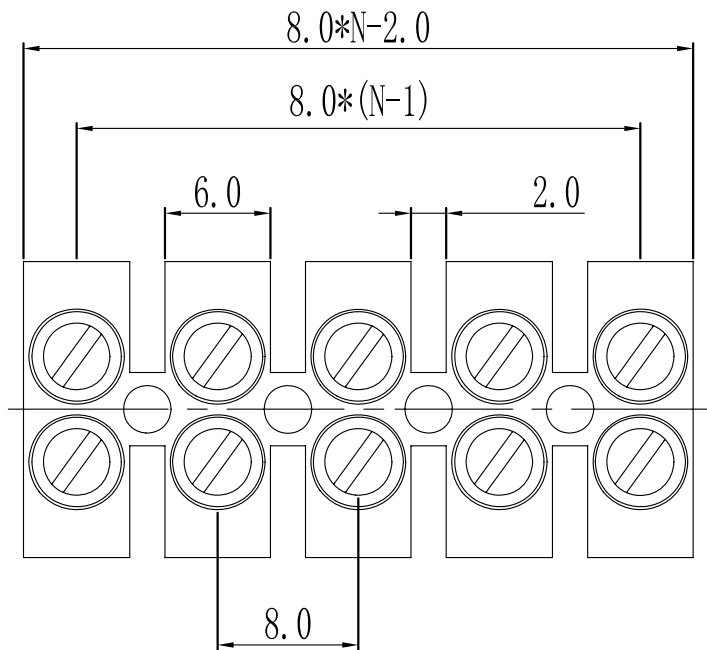


环保物料



N=Number of Contacts

产品型号	MODEL	HD8HWP
材质&电镀	MATERIAL&PLATING	
螺丝	Screw	M2.5, 钢, 镀锌 Steel, Zinc Plated
端子	Terminal	黄铜, 镀镍 Brass, Nickel plated
塑件	Housing	Nylon PA66, UL94V-2
电线保护装置	Wire protector	不锈钢 Stainless Steel
电气性能	ELECTRICAL	
额定电压	Rated voltage	AC400V
测试电流	Test current	to EN 60998:17.5A
使用线径	Wire range	1.0-2.5mm <sup>2</sup>
机械性能	MECHANICAL	
温度范围	Temp. range	-40°C ~ +110°C
产品编号	Product number code	KD8HWP-XP
底座高	High base	H
-	XP	No. of pole 1...12:1pole...12pole
-	WP	保护器 With wire protector



				GENERAL TOLERANCES		SCALE: 1:1	NAME	DATE	康导新能源 网址: www.dgonne.com 电话: 0789-85337833 邮箱: 2850175888@qq.com 传真: 0789-85392827	PART. NO: KDTB0183	
				LINEAR	ANGLES	APPROVED	黎腾	2017.06.16		DWG. NO:	
A0	新图面发行	2017.06.16	UNIT: MM	0.00±0.25	X° ±3°	DESIGNER	肖坤权	2017.06.16	TITLE: Pitch8.00mm Feed Through Terminal Blocks	REV: A0	SHEET: 1/1
REV.	REVISION RECORD	DATE	SIZE: A4	0.000±0.15	X° X'±2°	DRAWN	旷淇	2017.06.16			