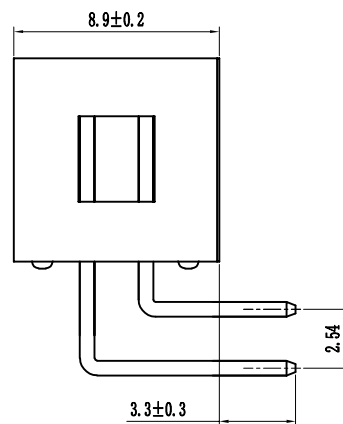
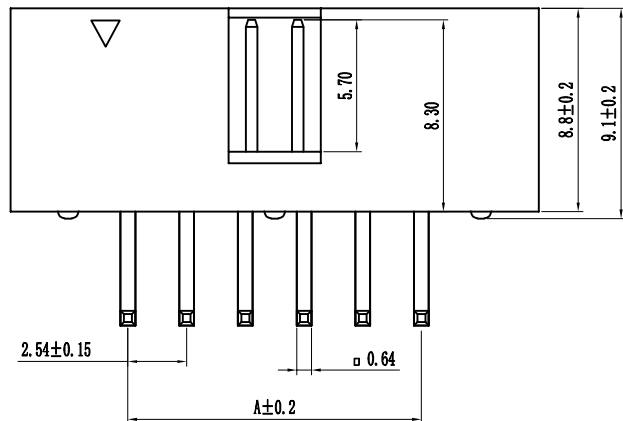
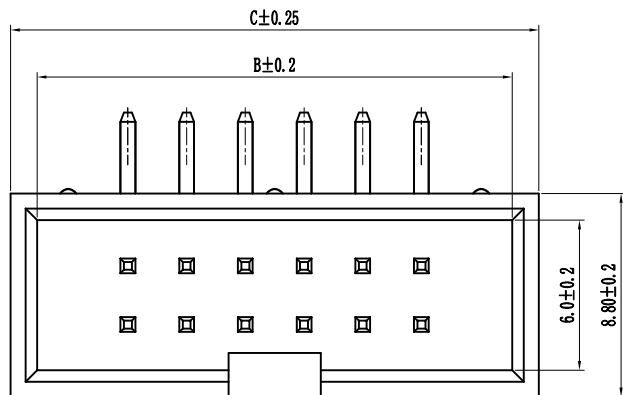
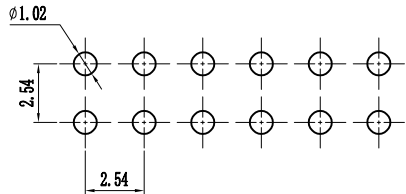


# 环保物料

Pin数	尺寸A	尺寸B	尺寸C
2x3	5.08	12.94	15.24
2x4	7.62	15.48	17.78
2x5	10.16	18.02	20.32
2x6	12.70	20.56	22.86
2x7	15.24	23.10	25.40
2x8	17.78	25.64	27.94
2x9	20.32	28.18	30.48
2x10	22.86	30.72	33.02
2x11	25.40	33.26	35.56
2x12	27.94	35.80	38.10
2x13	30.48	38.34	40.64
2x14	33.02	40.88	43.18
2x15	35.56	43.42	45.72
2x16	38.10	45.96	48.26
2x17	40.64	48.50	50.80
2x18	43.18	51.04	53.34
2x19	45.72	53.58	55.88
2x20	48.26	56.12	58.42
2x21	50.80	58.66	60.96
2x22	53.34	61.20	63.50
2x23	55.88	63.74	66.04
2x24	58.42	66.28	68.58
2x25	60.96	68.82	71.12
2x26	63.50	71.36	73.66
2x27	66.04	73.90	76.20
2x28	68.58	76.44	78.74
2x29	71.12	78.98	81.28
2x30	73.66	81.52	83.82
2x31	76.20	84.06	86.36
2x32	78.74	86.60	88.90



## PCB LAYOUT



### Specification:

Current Rating : 3AMP

Temperature Range : -40℃to+105℃

Contact Resistance : 20mΩ Max

Insulation Resistance : 1000MΩ Min

Withstanding Voltage : AC 1000V

### Material:

Insulator : Polyester (UL94V-0)

Standard:PBT/PA6T/LCP

Contact: Brass

Plating : Au or Sn Over 50u" Ni

**B 25 9D-XXX X X-XX-X-XXX**  
① ② ③ ④ ⑤ ⑥ ⑦ ⑧ ⑨

① Series No: P=Pin Header F=Female Header B=Box Header E=Ejector Header	② Pitch: 08=0.80 10=1.00 12=1.27 20=2.00 25=2.54 39=3.96 50=5.08	③ Tail/Mounting Style: 9D=Right Angle DIP Type 9S=Straight SMT Type 0D=Straight DIP Type 0S=Horizontal SMT Type	④ No. of Pins: Single Row Double Row 101=1x1Pin 201=2x1Pin 102=1x2Pin 202=2x2Pin 140=1x40pin 240=2x40pin	⑤ Insulator Color: A:Black B:Brown C:Red D:Orange E:Yellow F:Green G:Blue H:Violet J:Gray K:White P:Light Blue
⑥ Material Type: A-PBT B-PA46 C-PA6T D-PA6T E-LCP	⑦ Plating Type: 0*-Sn-Au 1*-Ni 2*-Sn 3*-Matte-Tin 5*-Au 0A-Sn-Au 1u" 0F-Sn-Au 10u" 5A-Au 1u" 0B-Sn-Au 2u" 0C-Sn-Au 15u" 5B-Au 2u" 0C-Sn-Au 3u" 0H-Sn-Au 30u" 5C-Au 3u" 0D-Sn-Au 4u" 0I-Sn-Au 40u" 5D-Au 4u" 0E-Sn-Au 5u" 0J-Sn-Au 50u" 5J-Au 50u"	⑧ RoHS Request: 0:No Request 1:RoHS 2:HF (Halogen Free)	⑨ Customer Code	

REV.	REVISION RECORD	DATE	UNIT: MM	GENERAL TOLERANCES		SCALE: 1:1	NAME	DATE
				LINEAR	ANGLES			
				0.00±0.15	X° ±3°	APPROVED	黎腾	2017.06.16
				0.00±0.08	X° X'±2°	DESIGNER	肖坤权	2017.06.16
						DRAWN	旷淇	2017.06.16

康导新能源  
网址: www.dgconne.com 电话: 0769-86337833  
邮箱: 2850175888@qq.com 传真: 0769-86392827

PART. NO:	KDBH-0029
DWG. NO:	ENDE2029
REV:	AO
SHEET:	1/1