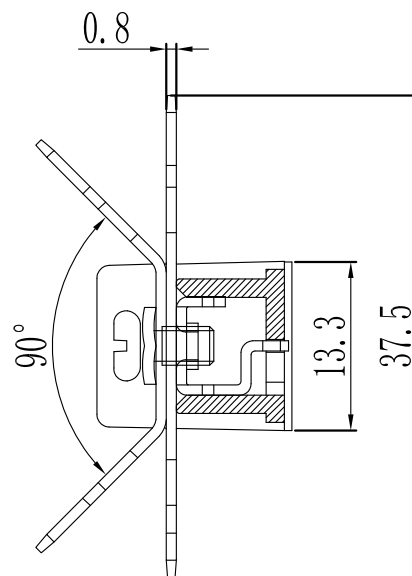
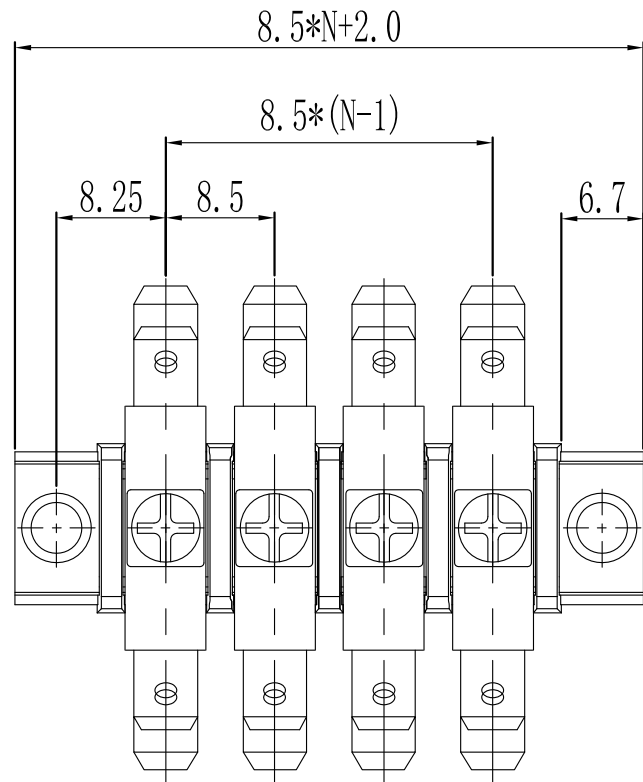
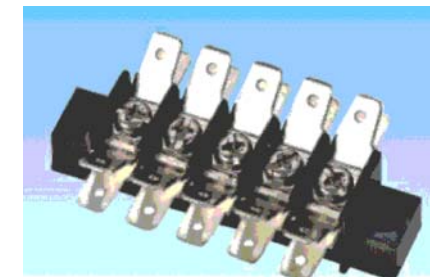


环保物料



|       |                       |                                  |
|-------|-----------------------|----------------------------------|
| 产品型号  | MODEL                 | KD-35B                           |
| 材质&电镀 | MATERIAL&PLATING      |                                  |
| 螺丝    | Screw                 | M3.0, 钢, 镀镍 Steel, Nickel Plated |
| 端子    | Terminal              | 黄铜, 0.8t 镀锡 Brass, Tin Plated    |
| 塑件    | Housing               | PA66, UL94V-0                    |
| 电气性能  | ELECTRICAL            |                                  |
| 额定电压  | Rated voltage         | 300V                             |
| 额定电流  | Rated current         | 20A                              |
| 绝缘电阻  | Insulation resistance | 500Ω/DC500V                      |
| 耐电压   | Withstanding voltage  | AC2000V/1min                     |
| 使用线径  | Wire range            | 22-14AWG 2.5mm <sup>2</sup>      |
| 机械性能  | MECHANICAL            |                                  |
| 温度范围  | Temp. range           | -40°C~+105°C                     |
| 扭矩    | Torque                | 0.5N.m 4.4Lb.in                  |



N=Number of Contacts

|      |                 |            |          |                    |          |               |      |            |   |                       |            |
|------|-----------------|------------|----------|--------------------|----------|---------------|------|------------|---|-----------------------|------------|
|      |                 |            |          | GENERAL TOLERANCES |          | SCALE:<br>1:1 | NAME | DATE       |  <b>康导新能源</b><br>网址: www.dgonne.com 电话: 0769-85337633<br>邮箱: 2850176886@qq.com 传真: 0769-85392827 | PART. NO:<br>KDTB0258 |            |
|      |                 |            |          | LINEAR             | ANGLES   | APPROVED      | 黎腾   | 2017.06.16 |   | DWG. NO:              |            |
| A0   | 新图面发行           | 2017.06.16 | UNIT: MM | 0.00±0.25          | X° ±3°   | DESIGNER      | 肖坤权  | 2017.06.16 | TITLE:<br>Pitch8.50mm American/Japanese Terminal Blocks   | REV: A0               | SHEET: 1/1 |
| REV. | REVISION RECORD | DATE       | SIZE: A4 | 0.000±0.15         | X° X'±2° | DRAWN         | 旷淇   | 2017.06.16 |   |                       |            |