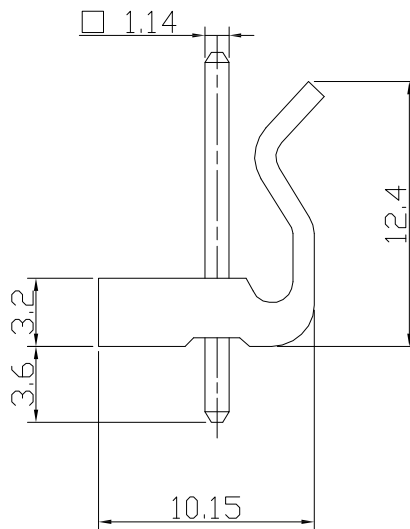
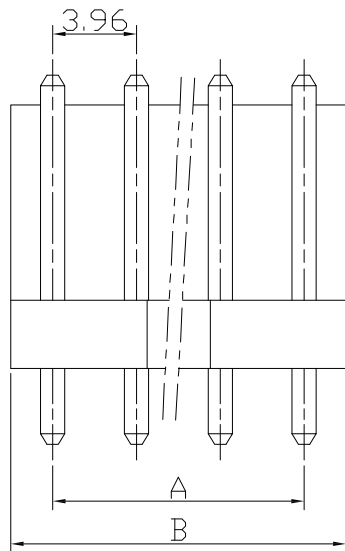
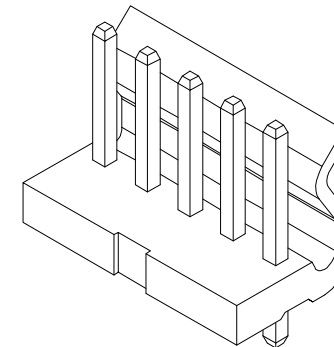


环保物料

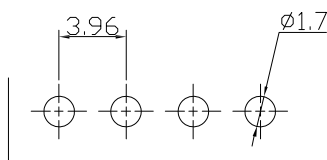


Specifications:

Contact resistance: $\leq 20m\Omega$
 Insulation resistance: $\geq 1000M\Omega$
 Rated voltage: 250V AC DC
 Rated current: 7.0A AC DC
 Withstand Voltage: 1500V AC/minute
 Temperature Range: $-25^{\circ}C \sim +85^{\circ}C$



| Poles | Dimensions mm | |
|-------|---------------|-------|
| | A | B |
| 2 | 3.96 | 7.92 |
| 3 | 7.92 | 11.88 |
| 4 | 11.88 | 15.84 |
| 5 | 15.84 | 19.80 |
| 6 | 19.80 | 23.76 |
| 7 | 23.76 | 27.72 |
| 8 | 27.72 | 31.68 |
| 9 | 31.68 | 35.64 |
| 10 | 35.64 | 39.60 |
| 11 | 39.60 | 43.56 |
| 12 | 43.56 | 47.52 |
| 13 | 47.52 | 51.48 |
| 14 | 51.48 | 55.44 |
| 15 | 55.44 | 59.40 |
| 16 | 59.40 | 63.36 |



P. C. B LAYOUT

| | | | | | |
|----|----|------------|----------------|----|------------------|
| 2 | | Wafer 针 | Brass Tin 黄铜镀锡 | N | |
| 1 | | Housing 基座 | PA66 (UL94V-2) | 1 | Transparent 透明白色 |
| 序号 | 图号 | 名称 | 材料 | 数量 | 附注 |

| | | GENERAL TOLERANCES | | SCALE: | NAME | DATE |
|------|-----------------|--------------------|-----------|----------|------|------------|
| | | LINEAR | ANGLES | 1:1 | | |
| | | 0.0±0.35 | X° REF±6° | APPROVED | 黎腾 | 2017.06.16 |
| A0 | 新图面发行 | 0.00±0.25 | X° ±3° | DESIGNER | 肖坤权 | 2017.06.16 |
| REV. | REVISION RECORD | 0.000±0.15 | X° X'±2° | DRAWN | 旷淇 | 2017.06.16 |

康导新能源
 网址: www.dgonne.com 电话: 0769-85337633
 邮箱: 2850175986@qq.com 传真: 0769-85392827

| | | | |
|-----------|----|--------|-----|
| PART. NO: | | 23961A | |
| DWG. NO: | | | |
| REV: | A0 | SHEET: | 1/1 |