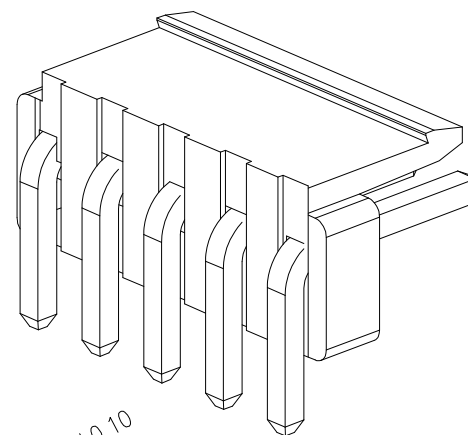
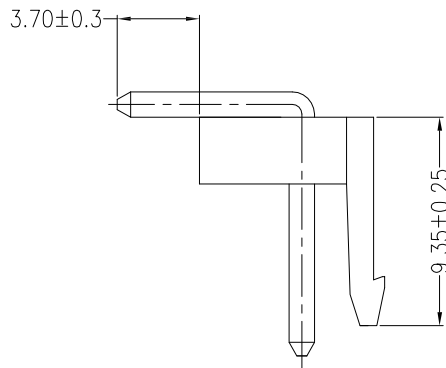
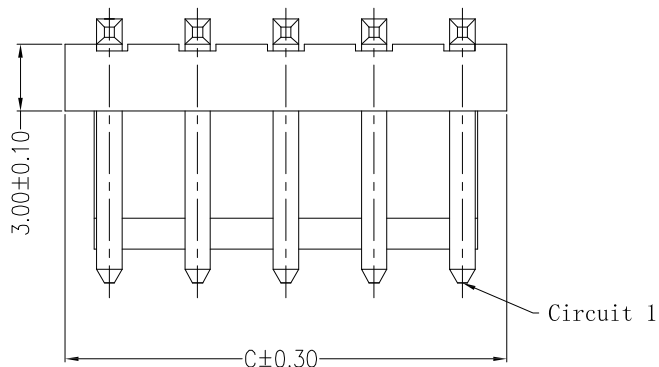


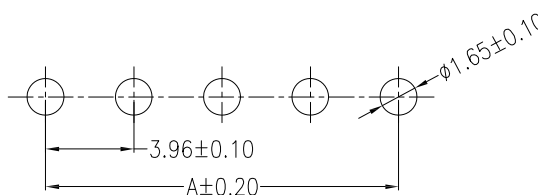
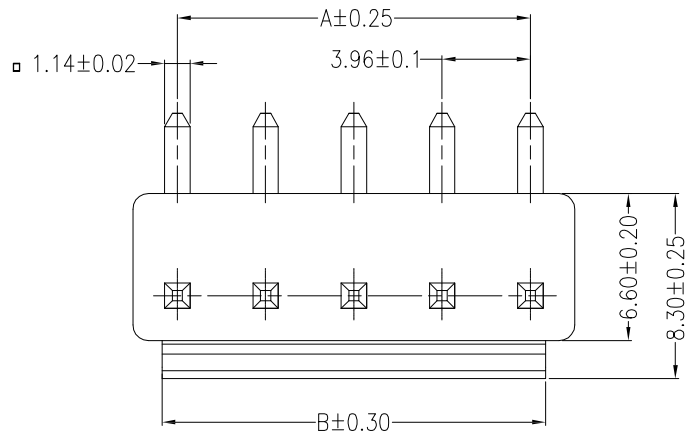
环保物料

### 主要技术参数 Main Specifications

线数 (Poles): 02 to 14  
 接触电阻 (Contact resistance):  $\leq 20m\Omega$   
 绝缘电阻 (Insulation resistance):  $\geq 1000M\Omega$   
 额定电压 (Rated voltage): 250V AC DC  
 额定电流 (Rated current): 7.0A AC DC  
 耐电压 (Withstand Voltage): 1500V AC/minute  
 温度范围 (Temperature Range):  $-25^{\circ}C \sim +85^{\circ}C$



Circuits	Dimensions (mm)		
	A	B	C
02	3.96	5.00	7.94
03	7.92	8.96	11.90
04	11.88	12.92	15.82
05	15.84	16.88	19.82
06	19.80	20.84	23.78
07	23.76	24.80	27.74
08	27.72	28.76	31.70
09	31.68	32.76	35.66
10	35.64	36.68	39.62
11	39.60	40.64	43.58
12	43.56	44.60	47.54
13	47.52	48.56	51.80
14	51.48	52.52	55.46



SUGGESTED PCB LAYOUT  
(COMPONENT SIDE)

ITEM	COMPONENT	Q'TY	MATERIAL	FINISH
C				
B	CONTACT	2~14 PCS	Brass	Sn-plated
A	HOUSING	1 PCS	PA66	COLOR:White

REV.	REVISION RECORD	DATE	UNIT: MM	SIZE: A4	GENERAL TOLERANCES	SCALE: 1:1	NAME	DATE	TITLE:	PART. NO:	DWG. NO:	REV:	SHEET:						
A0	新图面发行	2017.06.16	MM	A4	<table border="1"> <tr> <td>LINEAR</td> <td>ANGLES</td> </tr> <tr> <td>0.00±0.25</td> <td>X° ±3°</td> </tr> <tr> <td>0.000±0.15</td> <td>X° X'±2°</td> </tr> </table>	LINEAR	ANGLES	0.00±0.25	X° ±3°	0.000±0.15	X° X'±2°	1:1	黎腾	2017.06.16	 康导新能源 网址: www.dgoonns.com 电话: 0769-85337633 邮箱: 2850175986@qq.com 传真: 0769-85392827	23962AW		A0	1/1
LINEAR	ANGLES																		
0.00±0.25	X° ±3°																		
0.000±0.15	X° X'±2°																		
						APPROVED	肖坤权	2017.06.16	3.96mmPITCH 90° WAFER DIP TYPE										
						DESIGNER	旷淇	2017.06.16											