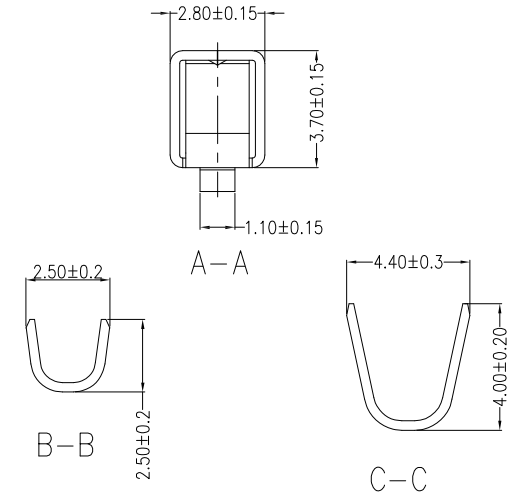
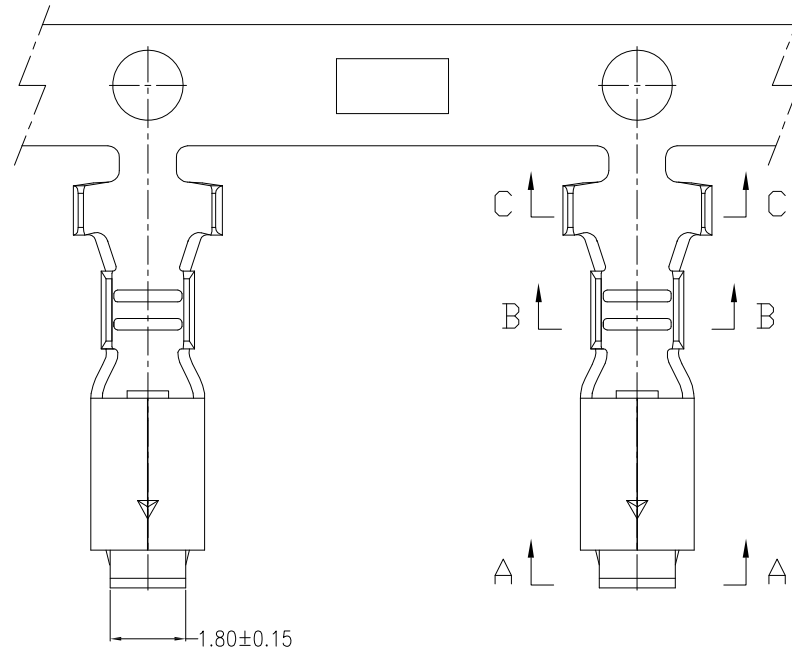
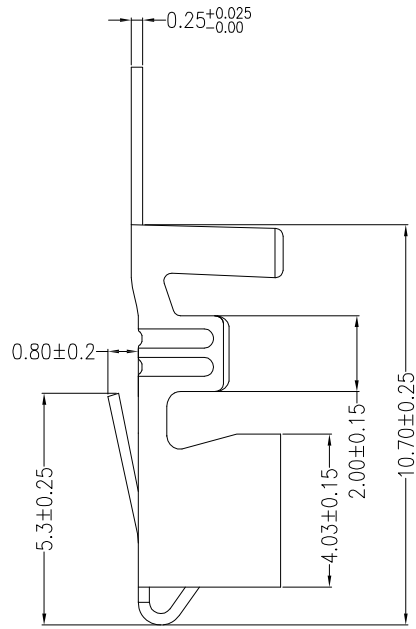


环保物料

主要技术参数
Main Specifications

额定电流(Current rating): 7.0A AC, DC
 额定电压(Voltage rating): 250V AC, DC
 温度范围(Temperature range): -25°C to +85°C
 接触电阻(Contact resistance): ≤20mΩ
 绝缘电阻(Insulation resistance): ≥1000MΩ
 耐电压(Withstand voltage): 1500V AC/minute



Wire Range	Insulation O.D.	Material	Finish	Qty/Reel
AWG #18~#22	3.00mm (MAX)	Phosphor bronze	Tin-plated	

		GENERAL TOLERANCES		SCALE:	NAME	DATE	 康导新能源 网址: www.dgonne.com 电话: 0769-85337633 邮箱: 2850175988@qq.com 传真: 0769-85392827	PART. NO:		
		LINEAR	ANGLES	1:1	黎腾	2017.06.16		23962T		
		0.00±0.35	X° REF±6°	APPROVED						
A0	新图面发行	2017.06.16	UNIT: MM	0.00±0.25	X° ±3°	DESIGNER		肖坤权	2017.06.16	DWG. NO:
REV.	REVISION RECORD	DATE	SIZE: A4	0.000±0.15	X° X'±2°	DRAWN	旷淇	2017.06.16	TITLE:	
3.96mm PITCH TERMINAL									REV: A0	SHEET: 1/1