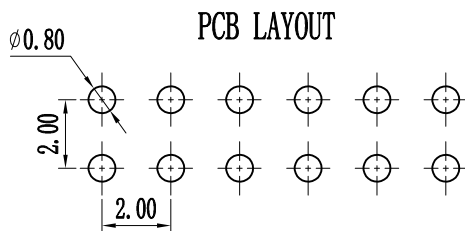
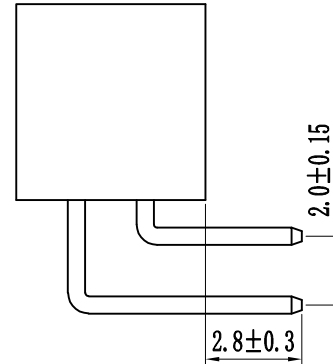
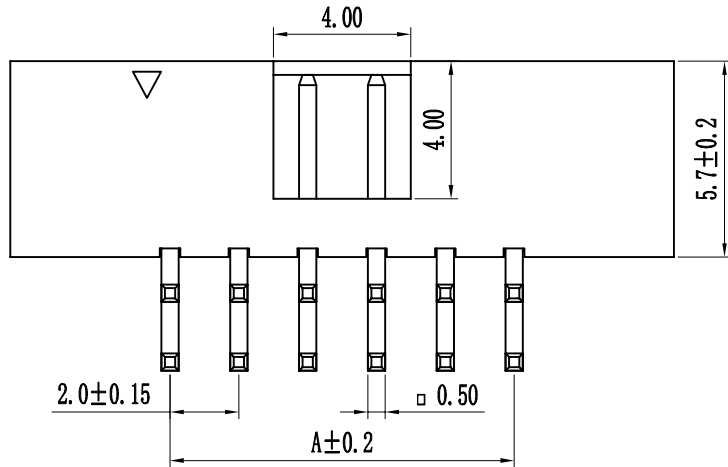
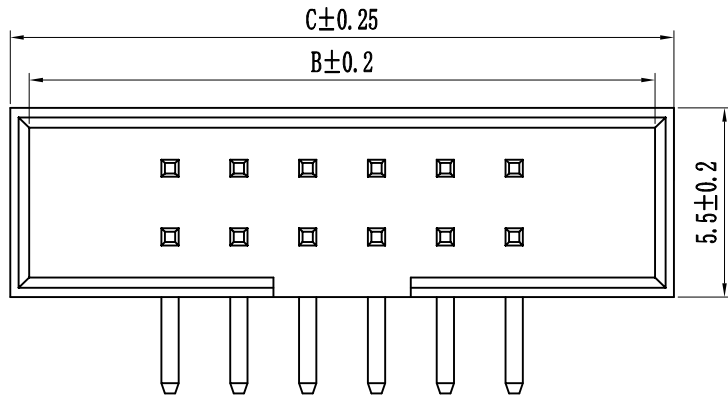


环保物料

Pin数	尺寸A	尺寸B	尺寸C
2×3	4.00	12.20	13.30
2×4	6.00	14.20	15.30
2×5	8.00	16.20	17.30
2×6	10.00	18.20	19.30
2×7	12.00	20.20	21.30
2×8	14.00	22.20	23.30
2×9	16.00	24.20	25.30
2×10	18.00	26.20	27.30
2×11	20.00	28.20	29.30
2×12	22.00	30.20	31.30
2×13	24.00	32.20	33.30
2×14	26.00	34.20	35.30
2×15	28.00	36.20	37.30
2×16	30.00	38.20	39.30
2×17	32.00	40.20	41.30
2×18	34.00	42.20	43.30
2×19	36.00	44.20	45.30
2×20	38.00	46.20	47.30
2×21	40.00	48.20	49.30
2×22	42.00	50.20	51.30
2×23	44.00	52.20	53.30
2×24	46.00	54.20	55.30
2×25	48.00	56.20	57.30
2×26	50.00	58.20	59.30
2×27	52.00	60.20	61.30
2×28	54.00	62.20	63.30
2×29	56.00	64.20	65.30
2×30	58.00	66.20	67.30
2×31	60.00	68.20	69.30
2×32	62.00	70.20	71.30
2×33	64.00	72.20	73.30
2×34	66.00	74.20	75.30



Specification:
 Current Rating : 1.5AMP
 Temperature Range : -40°C to +105°C
 Contact Resistance : 20mΩ Max
 Insulation Resistance : 1000MΩ Min
 Withstanding Voltage : AC 500V
 Material:
 Insulator : Polyester (UL94V-0)
 Standard:PBT/PA6T/LCP
 Contact: Brass
 Plating : Au or Sn Over 50u" Ni

B 20 9D-XXX X X-XX-X-XXX
 ① ② ③ ④ ⑤ ⑥ ⑦ ⑧ ⑨

① Series No: P=Pin Header F=Female Header D=Box Header E=Ejector Header	② Pitch: 06=0.80 10=1.00 12=1.27 20=2.00 25=2.54 39=3.96 50=5.08	③ Tail/Mounting Style: 9D=Right Angle DIP Type 9S=Straight SMT Type 0D=Straight DIP Type 0S=Horizontal SMT Type	④ No. of Pins: Single Row Double Row 101=1*1Pin 201=2*1Pin 102=1*2Pin 202=2*2Pin : : : : 140=1*40pin 240=2*40pin	⑤ Insulator Color: A:Black B:Brown C:Red D:Orange E:Yellow F:Green G:Blue H:Violet J:Gray K:White P:Light Blue
⑥ Material Type: A-PBT B-PA46 C-PA6T D-PA9T E-LCP	⑦ Plating Type: 0*-Sn-Au 1*-Ni 2*-Sn 3*-Matte-Tin 5*-Au 0A-Sn-Au 1u" 0F-Sn-Au 10u" 5A-Au 1u" 0B-Sn-Au 2u" 0C-Sn-Au 15u" 5B-Au 2u" 0C-Sn-Au 3u" 0H-Sn-Au 30u" 5C-Au 3u" 0D-Sn-Au 4u" 0I-Sn-Au 40u" : 0E-Sn-Au 5u" 0J-Sn-Au 50u" 5J-Au 50u"	⑧ RoHS Request: 0:No Request 1:RoHS 2:HF(Halogen Free)	⑨ Customer Code	

REV.	REVISION RECORD	DATE	UNIT: MM	GENERAL TOLERANCES		SCALE: 1:1	NAME	DATE
				LINEAR	ANGLES			
A0	新图面发行	2017.06.16	MM	0.00±0.15	X° ±3°	APPROVED	黎腾	2017.06.16
				0.00±0.08	X° X'±2°	DESIGNER	肖坤权	2017.06.16
						DRAWN	旷淇	2017.06.16

康导新能源
 网址: www.dgconne.com 电话: 0769-8537653
 邮箱: 2850175688@qq.com 传真: 0769-8536267

PART. NO:	KDBH-0021	
DWG. NO:	ENDE2021	
REV:	AO	SHEET: 1/1